



DRIFTER 250
RY-250DF



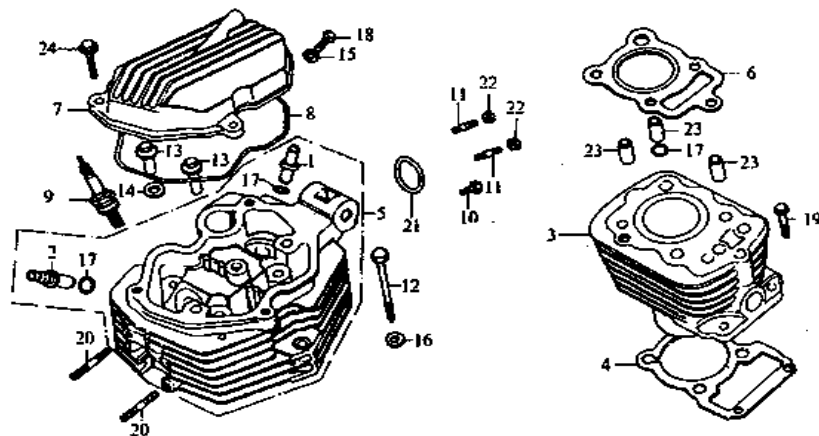
SPARES

ENGINE PARTS

INDEX

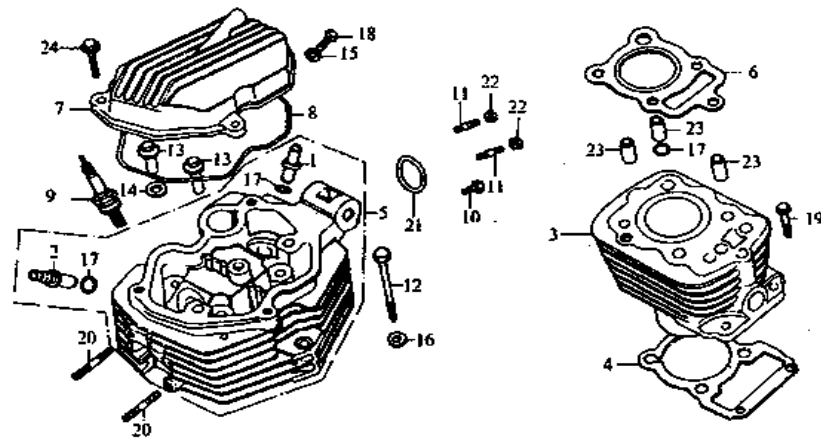
ASSY NO.	DESCRIPTION	PAGE NO.
A1	CYLINDER BLOCK/CYLINDER HEAD ASSY	1-2
A2	VALVE/CAM SHAFT ASSY	3-4
A3	CRANKSHAFT ASSY	5-6
A4	CRANKCASE ASSY	7-8
A5	OIL PUMP/OIL FILTER ASSY	9
A6	CLUTCH ASSY	10
A7	RIGHT CRANKCASE COVER	11-12
A8	TRANSMISSION ASSY	13-16
A9	GEAR SHAFT ASSY	17-18
A10	LEFT CRANKCASE COVER/MAGNETO ASSY	19-20
A11	STARTING MOTOR ASSY	21

A1 - CYLINDER BLOCK/CYLINDER HEAD ASSY



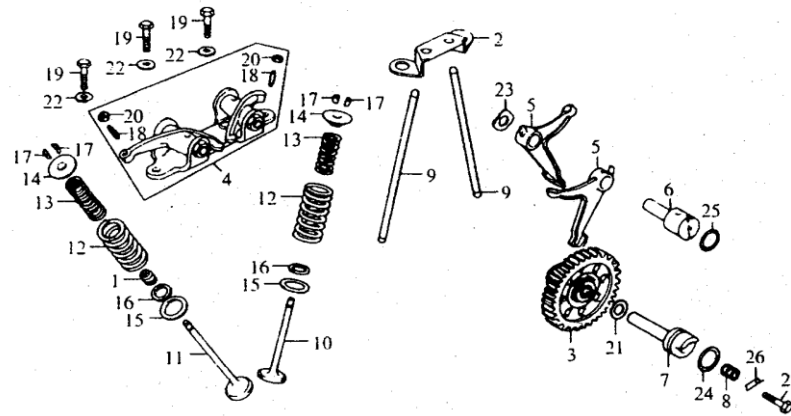
S.NO.	PART CODE	DESCRIPTION	QUANTITY
A1 - 1	F00A010	INTAKE VALVE GUIDE	1
A1 - 2	F00A011	EXHAUST VALVE GUIDE	1
A1 - 3	H09A040	CYLINDER BLOCK	1
A1 - 4	G001B011	GASKET, CYLINDER BLOCK	1
A1 - 5	H09A010	CYLINDER HEAD COMP	1
A1 - 6	H09B018	GASKET, CYLINDER HEAD	1
A1 - 7	F00A050	CYLINDER HEAD COVER	1
A1 - 8	F00C024	SEAL RING	1
A1 - 9	F00D022	SPARK PLUG	1
A1 - 10	96006020	STUD M6×20	1
A1 - 11	F00M010	STUD M6×22	2
A1 - 12	F00M013	STUD M8×90	1
A1 - 13	F00M012	NUT	4
A1 - 14	F00L018	WASHER Φ12×Φ22×2	2
A1 - 15	D00L020	WASHER Φ6	1

A1 - CYLINDER BLOCK/CYLINDER HEAD ASSY



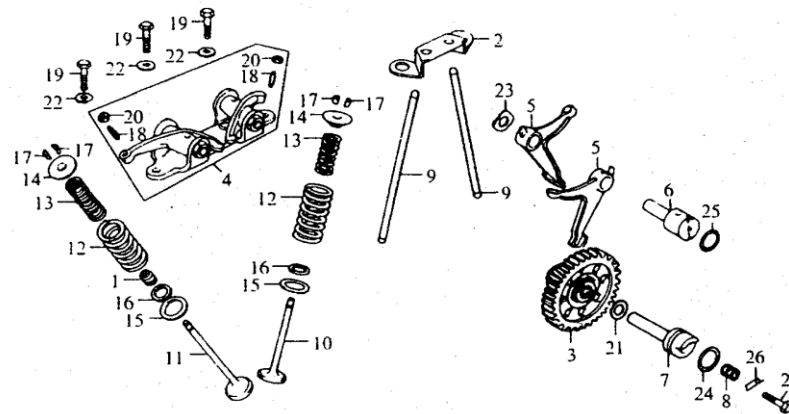
S.NO.	PART CODE	DESCRIPTION	QUANTITY
A1 - 16	F00L001	WASHER Φ 8	1
A1 - 17	F00C063	O-RING	3
A1 - 18	96006012	BOLT M6 \times 12	1
A1 - 19	96006025	BOLT M6 \times 25	2
A1 - 20	F00M007	BOLT M6 \times 35	2
A1 - 21	F00C050	O-RING 33.5 \times 3	1
A1 - 22	100706000	NUT M6	2
A1 - 23	97010020	DOWEL PIN 10 \times 20	3
A1 - 24	578906028	BOLT M6 \times 28	3

A2 - VALVE/CAM SHAFT ASSY



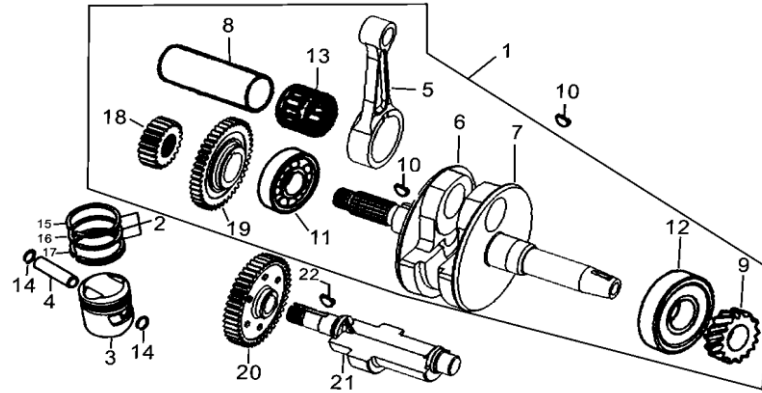
S.NO.	PART CODE	DESCRIPTION	QUANTITY
A2 - 1	F00C044	OIL SEAL, VALVE	1
A2 - 2	F00F036	BRACKET, PUSH ROD	1
A2 - 3	F00F031	CAM GEAR, TIMING	1
A2 - 4	F00F002	ROCKER ARM BASE	1
A2 - 5	F00F038	ROCKER ARM	2
A2 - 6	H09F039	SHAFT,ROCKER ARM	1
A2 - 7	F00F041	CAM SHAFT	1
A2 - 8	F00H005	SPRING, CAM SHAFT	1
A2 - 9	H091F037	PUSH ROD	2
A2 - 10	302F046	INLET VALVE	1
A2 - 11	302F040	EXHAUST VALVE	1
A2 - 12	F00H003	VALVE SPRING, OUTER	2
A2 - 13	F00H004	VALVE SPRING, INNER	2
A2 - 14	F03F034	RETAINER, VALVE SPRING	2
A2 - 15	F00F031	SEAT, VALVE SPRING OUTER	2

A2 - VALVE/CAM SHAFT ASSY



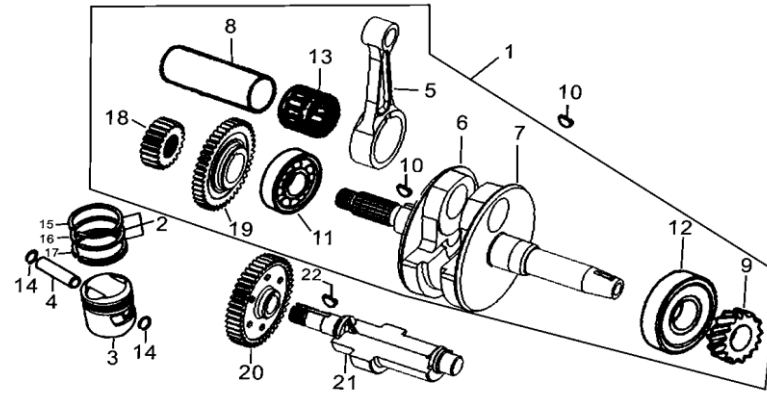
S.NO.	PART CODE	DESCRIPTION	QUANTITY
A2 - 16	F00F032	SEAT, VALVE SPRING INNER	2
A2 - 17	F03F033	CLIP, VALVE	4
A2 - 18	F00F001	SCREW, VALVE CLEARANCE ADJUSTMENT	2
A2 - 19	578308028	BOLT M8x28	3
A2 - 20	F00F002	NUT, VALVE CLEARANCE ADJUSTMENT	2
A2 - 21	F00L045	WASHER	1
A2 - 22	F00L002	WASHER	3
A2 - 23	F00L043	WASHER	1
A2 - 24	F00C066	O-RING 20x2.5	1
A2 - 25	F00C067	O-RING 17x2.5	1
A2 - 26	F00L028	CAM SHAFT STOPPER	1
A2 - 27	96006012	BOLT M6x12	1

A3 - CRANKSHAFT ASSY



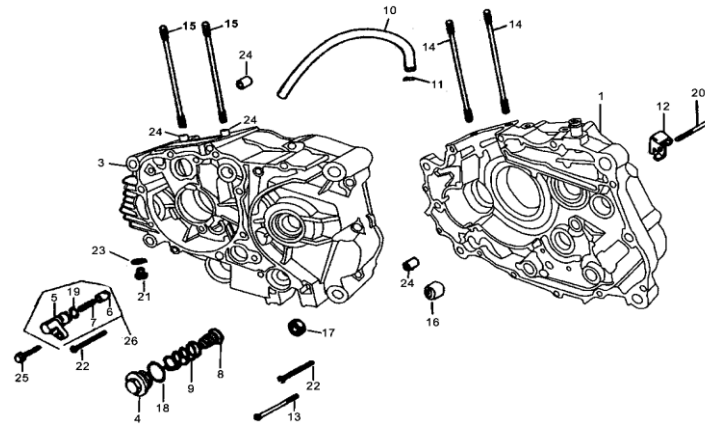
S.NO.	PART CODE	DESCRIPTION	QUANTITY
A3 - 1	H11J010	CRANKSHAFT ASSY	1
A3 - 2	H09J015	PISTON RING SET	1
A3 - 3	H091J015	PISTON	1
A3 - 4	F00J013	PISTON PIN	1
A3 - 5	H11J021	CONNECTING ROD	1
A3 - 6	H11J014	CRANKSHAFT, R	1
A3 - 7	H11J016	CRANKSHAFT, L	1
A3 - 8	H11J008	PIN, CRANK SHAFT	1
A3 - 9	F00J004	DRIVE GEAR, TIMING	1
A3 - 10	308J001	WOODRUFF KEY	2
A3 - 11	2766327	BEARING	1
A3 - 12	2766329RS	BEARING	1
A3 - 13	H11J008	ROLLER BEARING	1
A3 - 14	F00J012	CIRCLIP	2
A3 - 15	H09J009	PISTON RING NO.1	1

A3 - CRANKSHAFT ASSY



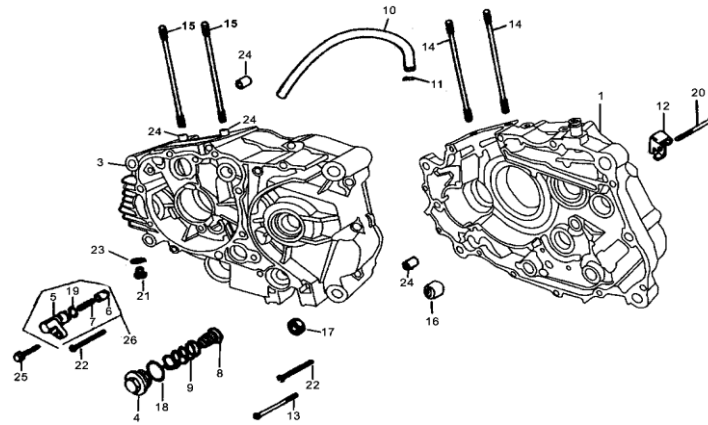
S.NO.	PART CODE	DESCRIPTION	QUANTITY
A3 - 16	H09J010	PISTON RING NO.2	1
A3 - 17	H09J015	PISTON RING COMBINATION	1
A3 - 18	308K015	DRIVING GEAR	1
A3 - 19	308J021	BLANCE SHAFT DRIVING GEAR	1
A3 - 20	308J022	BLANCE SHAFT GEAR	1
A3 - 21	H11J022	BLANCE SHAFT	1
A3 - 22	308J004	FLAT KEY	1

A4 - CRANKCASE ASSY



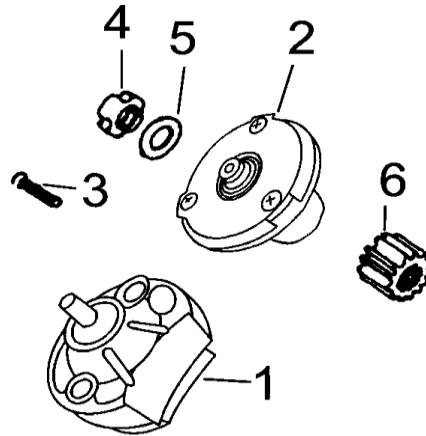
S.NO.	PART CODE	DESCRIPTION	QUANTITY
A4 - 1	308A020	RIGHT CRANKCASE COMP	1
A4 - 2	308B005	GASKET	1
A4 - 3	308A010	LEFT CRANKCASE COMP	1
A4 - 4	F03A032	OIL FILTER COVER	1
A4 - 5	302F017	PRESSURE PIN	1
A4 - 6	302F018	PIN	1
A4 - 7	302H010	SPRING	1
A4 - 8	F00C037	STRAINER, OIL FILTER COMP.	1
A4 - 9	F00H008	SPRING	1
A4 - 10	F00C024	EXHAUST PIPE	1
A4 - 11	F00L013	CLIP	1
A4 - 12	F031L031	STAY, CLUTCH CABLE	1
A4 - 13	96006095	BOLT M6×95	1
A4 - 14	H09M001	STUD A M8×143	2
A4 - 15	H09M002	STUD B M8×141	2

A4 - CRANKCASE ASSY



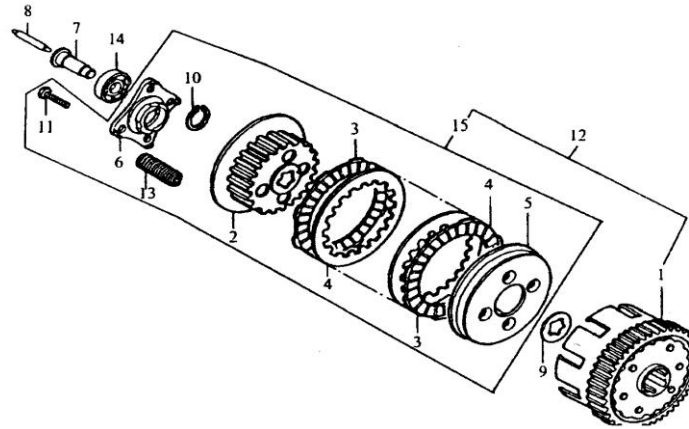
S.NO.	PART CODE	DESCRIPTION	QUANTITY
A4 - 16	2901512	NEEDLE BEARING HK 152312	1
A4 - 17	F00C046	OIL SEAL 14×28×7	1
A4 - 18	F00C050	O-RING 35.5×3	1
A4 - 19	F00C068	O-RING 13×25	1
A4 - 20	96006055	BOLT M6×55	1
A4 - 21	F01E026	DRAIN PLUG	1
A4 - 22	96006050	BOLT M6×50	9
A4 - 23	D00L022	WASHER FOR DRAIN PLUG	1
A4 - 24	97010014	DOWEL PIN 10×14	2
A4 - 25	96006025	BOLT M6×25	1
A4 - 26	302F016	PRESSURE PIN COMP	1

A5 - OIL PUMP/OIL FILTER ASSY



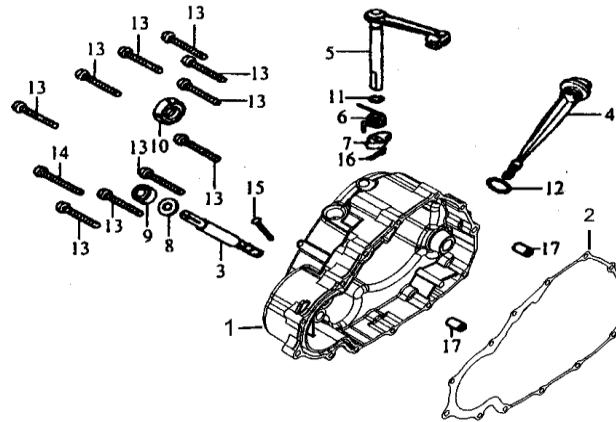
S.NO.	PART CODE	DESCRIPTION	QUANTITY
A5 - 1	308E000	OIL PUMP ASSY	1
A5 - 2	308E010	OIL FILTER COMP	1
A5 - 3	81906030	SCREW M6×30	2
A5 - 4	A00G055	NUT	1
A5 - 5	F00G052	THRUST-WASHER	1
A5 - 6	F02K015	DRIVEN GEAR	1

A6 - CLUTCH ASSY



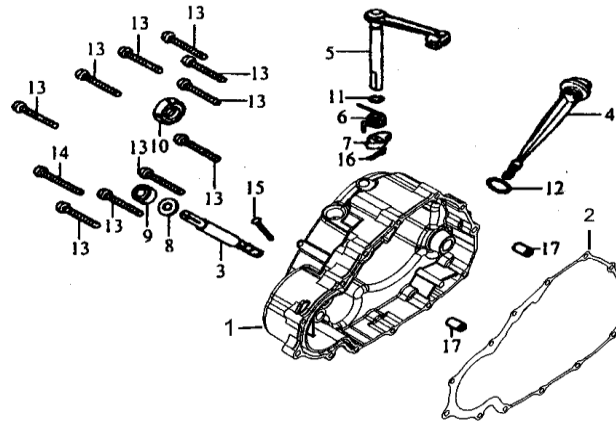
S.NO.	PART CODE	DESCRIPTION	QUANTITY
A6 - 1	H09G004	OUTER COMP,CLUTCH	1
A6 - 2	H09G005	CENTER SLEEVE, CLUTCH	1
A6 - 3	H09G001	CLUTCH FRICTION PLATE	5
A6 - 4	H09G012	CLUTCH PLATE	4
A6 - 5	H09G041	PRESSURE PLATE	1
A6 - 6	H09G160	END COVER, CLUTCH	1
A6 - 7	F032G163	SEPARATING AXLE SLEEVE	1
A6 - 8	F00L053	ROD, CLUTCH PUSH	1
A6 - 9	F00L053	WASHER	1
A6 - 10	F00G030	CIRCLIP 17MM	1
A6 - 11	578306035	BOLT M6x35	4
A6 - 12	H09G000	CLUTCH BODY ASSY	1
A6 - 13	F00G002	SPRING	4
A6 - 14	2766001	BEARING 6001	1
A6 - 15	H09G060	CLUTCH DISC COMP	1

A7 - RIGHT CRANKCASE COVER



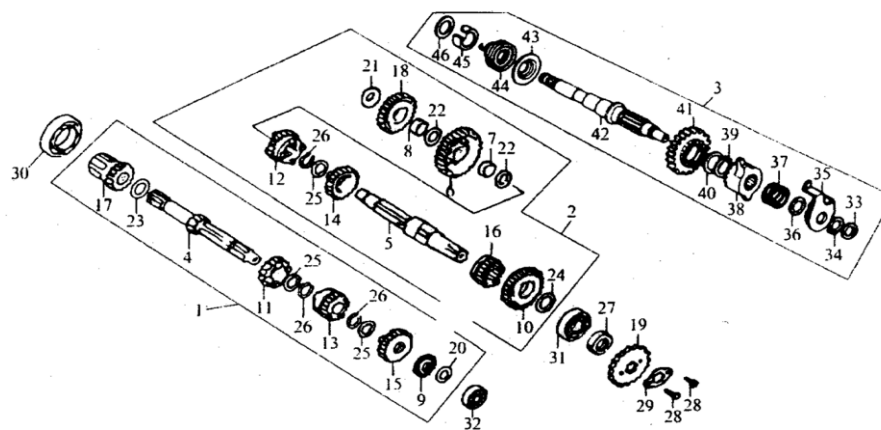
S.NO.	PART CODE	DESCRIPTION	QUANTITY
A7 - 1	5024A034YHFPY	RIGHT CRANDCASE COVER (DRAGON)	1
A7 - 1	5024A034YGHFPY	RIGHT CRANDCASE COVER (DRIFTER)	1
A7 - 2	308B002	GASKET	1
A7 - 3	F00K011	OUTPUT SHAFT	1
A7 - 4	F00C038	DIPSTICK OIL GAUGE	1
A7 - 5	F032G010	CLUTCH ROD	1
A7 - 6	F031H007	SPRING	1
A7 - 7	F032G027	CLUTCH CAM	1
A7 - 8	F00K012	WASHER	1
A7 - 9	F00C025	OIL SEAL 6.5×14×7	1
A7 - 10	F00C015	OIL SEAL 16×28×7	1
A7 - 11	F00C048	O-RING 6.8×1.9	1
A7 - 12	D00L060	O-RING 18×3	1
A7 - 13	96006040	SCREW M6×40	10
A7 - 14	96006050	SCREW M6×50	1

A7 - RIGHT CRANKCASE COVER



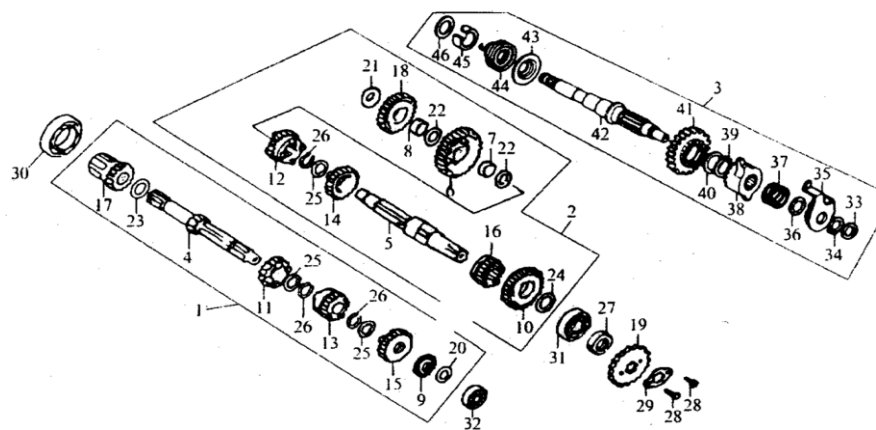
S.NO.	PART CODE	DESCRIPTION	QUANTITY
A7 - 15	82005025	SCREW M5×25	1
A7 - 16	F00G047	COTTER PIN 2×30	1
A7 - 17	97008014	DOWEL PIN 8×14	2

A8 - TRANSMISSION ASSY



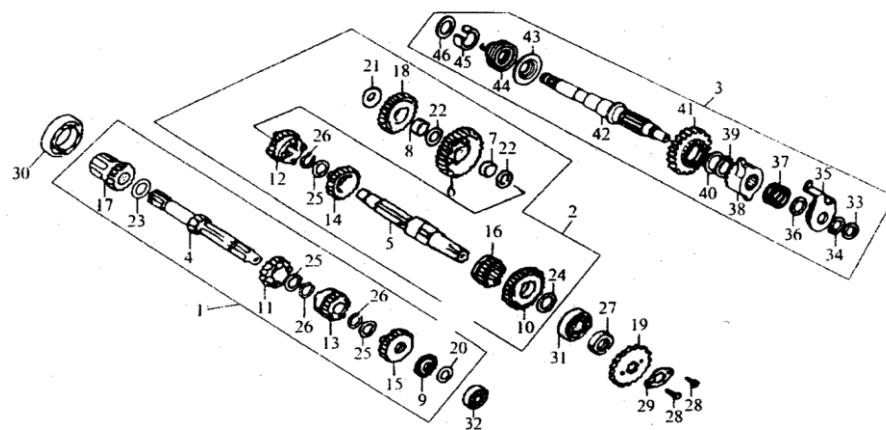
S.NO.	PART CODE	DESCRIPTION	QUANTITY
A8 - 1	H11K030	MAIN SHAFT ASSY	1
A8 - 2	3022K040	COUNTER SHAFT ASSY	1
A8 - 3	F00I000	KICK STARTER SHAFT ASSY	1
A8 - 4	H11K031	MAIN SHAFT	1
A8 - 5	302K041	COUNTERSHAFT	1
A8 - 6	302K042	FIRST GEAR,COUNTERSHAFT	1
A8 - 7	F00K043	BUSH	1
A8 - 8	F00K044	BUSH	1
A8 - 9	H11K032	SECOND GEAR,MAIN SHAFT	1
A8 - 10	302K045	SECOND GEAR,COUNTERSHAFT	1
A8 - 11	H11K033	THIRD GEAR,MAIN SHAFT	1
A8 - 12	302K046	THIRD GEAR,COUNTERSHAFT	1
A8 - 13	H11K034	FOURTH GEAR,MAIN SHAFT	1
A8 - 14	302K047	FOURTH GEAR,COUNTERSHAFT	1
A8 - 15	H11K035	FIFTH GEAR,MAIN SHAFT	1

A8 - TRANSMISSION ASSY



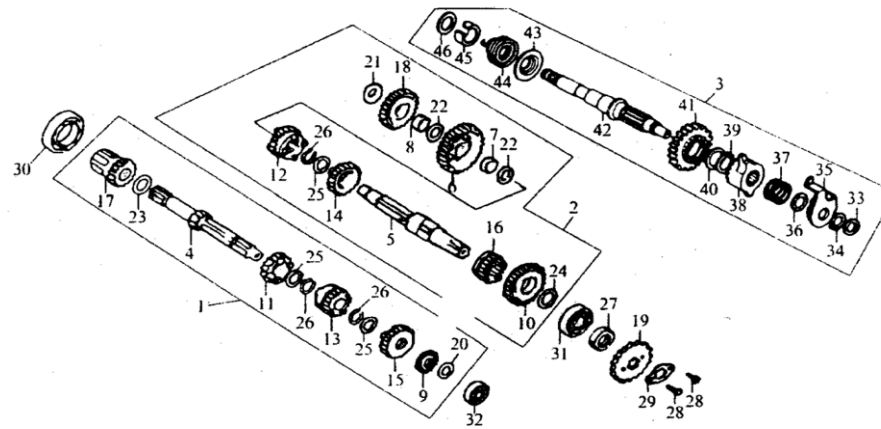
S.NO.	PART CODE	DESCRIPTION	QUANTITY
A8 - 16	302K048	FIFTH GEAR,COUNTERSHAFT	1
A8 - 17	F00K036	STARTING GEAR, MAIN SHAFT	1
A8 - 18	F00K049	STARTING GEAR, COUNTER SHAFT	1
A8 - 19	F002K014	OUTPUT SPROCKET	1
A8 - 20	H09K037	WASHER	1
A8 - 21	F00K038	WASHER	1
A8 - 22	F00K039	WASHER	2
A8 - 23	F00K050	WASHER	1
A8 - 24	F00K051	WASHER	1
A8 - 25	F00K052	SPLINE WASHER	3
A8 - 26	F00K053	CIRCLIP	3
A8 - 27	F00K042	OIL SEAL 20×34×7	1
A8 - 28	578306010	BOLT M6×10	1
A8 - 29	F00K013	LOCATING PLATE, SPROCKET	1
A8 - 30	2766006	BEARING 6106	1

A8 - TRANSMISSION ASSY



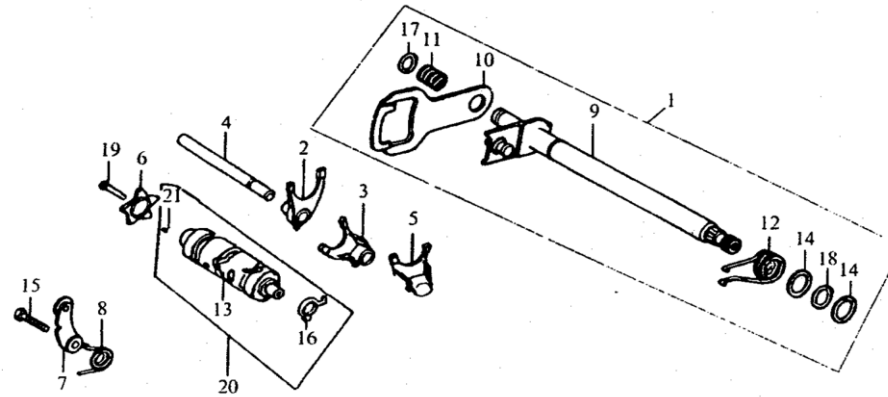
S.NO.	PART CODE	DESCRIPTION	QUANTITY
A8 - 31	2766204	BEARING 6204	1
A8 - 32	2766202RS	BEARING 6202RS	1
A8 - 33	F00I001	WASHER	1
A8 - 34	F00I002	CIRCLIP 16MM	1
A8 - 35	F00I003	RATCHET GUIDE	1
A8 - 36	F00I004	WASHER	1
A8 - 37	F00I005	RATCHET SPRING	1
A8 - 38	F00I006	RATCHET GEAR	1
A8 - 39	F00I007	CIRCLIP 20MM	1
A8 - 40	F00I008	WASHER	1
A8 - 41	F00I009	STARTING GEAR	1
A8 - 42	F00I010	STARTING SHAFT	1
A8 - 43	F00I011	SPRING SEAT	1
A8 - 44	F00I012	RESET SPRING	1
A8 - 45	F00I013	SPRING SLEEVE	1

A8 - TRANSMISSION ASSY



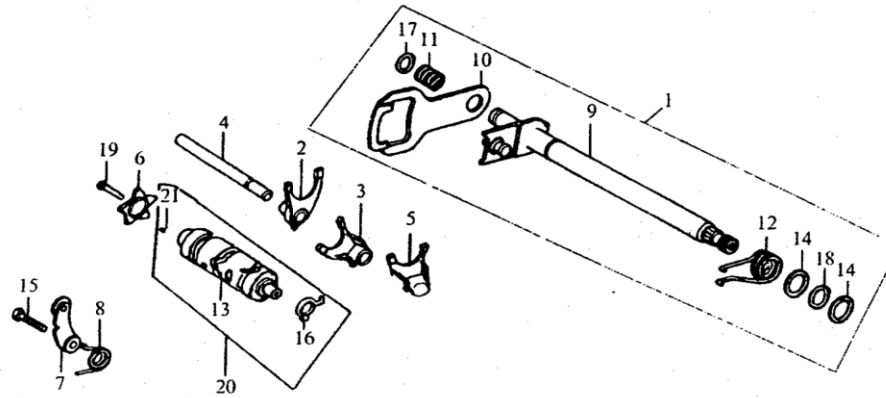
S.NO.	PART CODE	DESCRIPTION	QUANTITY
A8 - 46	FOOIO14	WASHER	1

A9 - GEAR SHAFT ASSY



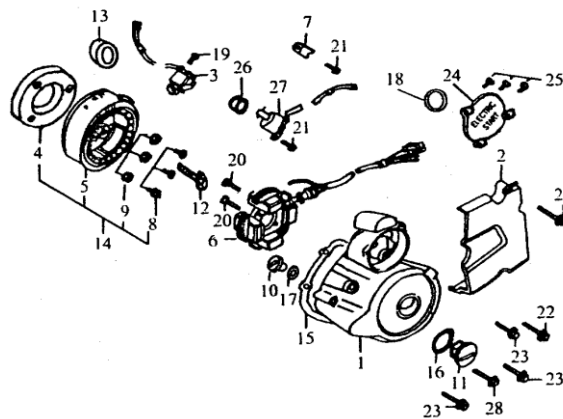
S.NO.	PART CODE	DESCRIPTION	QUANTITY
A9 - 1	FOOK000	GEARSHIFT SHAFT COMP	1
A9 - 2	FOOK061	FORK, GEAR SHIFT, R	1
A9 - 3	FOOK064	FORK, CENTER GEAR SHIFT	1
A9 - 4	FOOK073	SHAFT, GEAR SHIFT FORK	1
A9 - 5	FOOK065	FORK, GEAR SHIFT, L	1
A9 - 6	FOOK023	CAM, GEAR SHIFT	1
A9 - 7	FOOK070	DRUM STOPPER	1
A9 - 8	FOOH009	RESET SPRING	1
A9 - 9	FOOK001	SHAFT COMP	1
A9 - 10	FOOK002	GEAR SHIFT PLATE	1
A9 - 11	FOOK003	SPRING, GEAR SHIFT PLATE	1
A9 - 12	FOOK004	RESET SPRING	1
A9 - 13	FOOK066	DRUM, GEAR SHIFT	1
A9 - 14	FOOK005	WASHER	2
A9 - 15	578306020	BOLT M6×20	1

A9 - GEAR SHAFT ASSY



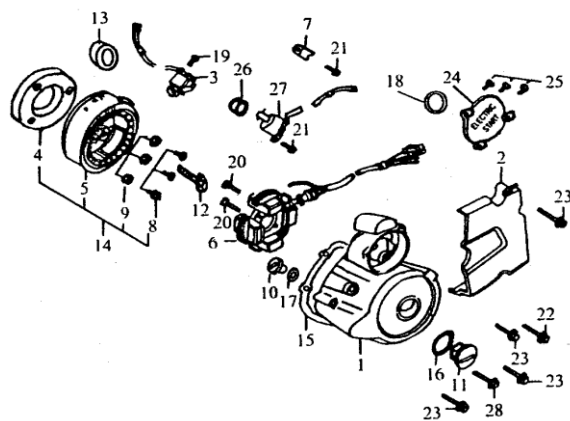
S.NO.	PART CODE	DESCRIPTION	QUANTITY
A9 - 16	F00K067	CONTACT SWITCH	1
A9 - 17	F00K006	CIRCLIP 12MM	1
A9 - 18	F00K007	CIRCLIP 14MM	1
A9 - 19	578306025	BOLT M6×25	1
A9 - 20	F00K060	GEARSHIFT DRUM COMP	1
A9 - 21	F00K008	PIN 4×10	1

A10 - LEFT CRANKCASE COVER/MAGNETO ASSY



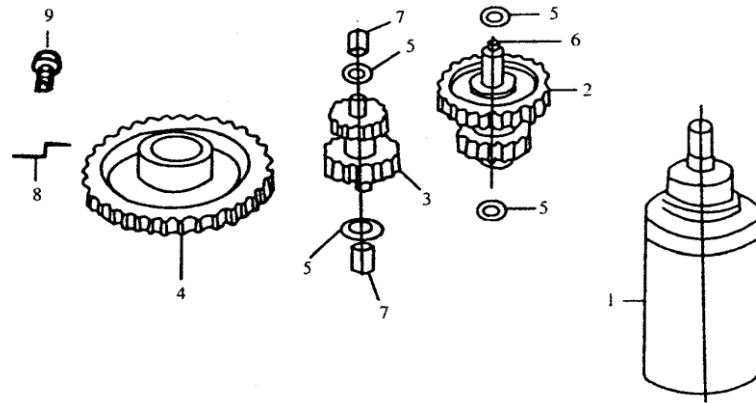
S.NO.	PART CODE	DESCRIPTION	QUANTITY
A10 - 1	F0017A040YH	LEFT CRANKCASE COVER (DRAGON)	1
A10 - 1	F0038A040YGH	LEFT CRANKCASE COVER (DRIFTER)	1
A10 - 2	L00WG220YH	CHAIN GUARD, LEFT CRANK CASE (DRAGON)	1
A10 - 2	L00WG438YGH	CHAIN GUARD, LEFT CRANK CASE (DRIFTER)	1
A10 - 3	F00D052	TRANSDUCER	1
A10 - 4	302G071	START CLUTCH BODY	1
A10 - 5	H09D060	ROTOR,MAGNETO	1
A10 - 6	H09D072	STATOR,MAGNETO	1
A10 - 7	F00L012	WIRE CLAMP	1
A10 - 8	7008030	SCREW M8×30	3
A10 - 9	D00L015	SPRING WASHER Ø8	3
A10 - 10	D00A042	PLUG, WATCH HOLE	1
A10 - 11	D00A043	COVER	1
A10 - 12	96010035	LOCK BOLT	1
A10 - 13	F00C013	OIL SEAL, CRANKSHAFT(50×34×7)	1

A10 - LEFT CRANKCASE COVER/MAGNETO ASSY



S.NO.	PART CODE	DESCRIPTION	QUANTITY
A10 - 14	H09D055	FLYWHEEL COMP	1
A10 - 15	F00B001	GASKET, LEFT CRANKCASE COVER	1
A10 - 16	D00C051	O-RING FOR PLUG 27.5×2.5	1
A10 - 17	D00C052	O-RING, WATCH HOLE PLUG 13.8×2.5	1
A10 - 18	F00C056	O-RING 63×3	1
A10 - 19	81805016	SCREW M5×16	2
A10 - 20	81805030	SCREW M5×30	3
A10 - 21	96006012	BOLT M6×12	2
A10 - 22	96006025	BOLT M6×25	2
A10 - 23	96006040	BOLT M6×40	6
A10 - 24	F001A045	UPPER COVER	1
A10 - 25	96006020	SCREW M6×20	3
A10 - 26	F00C045	NEUTRAL INDICATOR OIL SEAL	1
A10 - 27	F00D030	NEUTRAL INDICATOR	1
A10 - 28	96006050	BOLT M6×50	2

A11 - STARTING MOTOR ASSY




S.NO.	PART CODE	DESCRIPTION	QUANTITY
A11 - 1	H09D010	STARTING MOTOR ASSY	1
A11 - 2	H09K020	DOUBLE GEARS ASSY 1	1
A11 - 3	H09K021	DOUBLE GEARS ASSY 2	1
A11 - 4	H09K022	STARTING GEAR	1
A11 - 5	F00L023	WASHER	4
A11 - 6	H09K020	DOUBLE GEARS SHAFT	1
A11 - 7	2901010	NEEDLE BEARING HK101410	2
A11 - 8	F00L027	GEAR STOPPER, START CLUTCH	1
A11 - 9	96006012	BOLT M6×12	1



Raybar

www.raybarmotorcycles.com

 /raybarmoto