



**BRAVO 150**  
RY-150BR



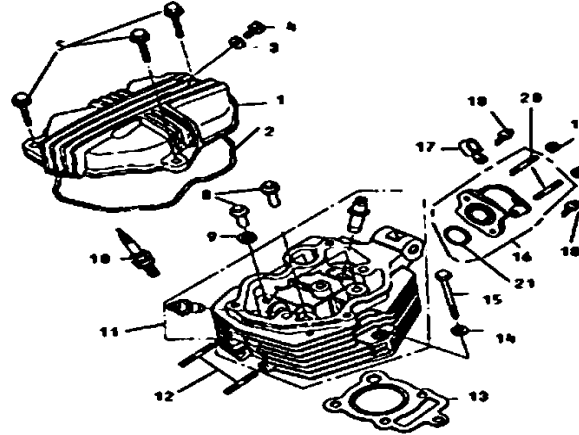
**SPARES**

**ENGINE PARTS**

## INDEX

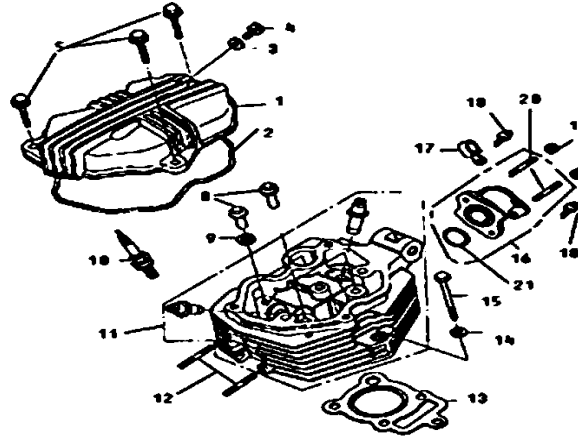
<b>ASSY NO.</b>	<b>DESCRIPTION</b>	<b>PAGE NO.</b>
A1	CYLINDER HEAD ASSY	1-2
A2	CYLINDER BLOCK	3
A3	VALVE ASSY	4
A4	CAM SHAFT ASSY	5
A5	CRANK SHAFT ASSY	6
A6	CRANK CASE ASSY	7-8
A7	OIL PUMP/OIL FILTER ASSY	9
A8	CLUTCH ASSY	10
A9	RIGHT CRANKCASE COVER	11-12
A10	KICK/TRANSMISSION ASSY	13
A11	GEAR SHAFT ASSY	14
A12	LEFT CRANKCASE COVER	15-16
A13	STARTING MOTOR ASSY	17
A14	MAGNETO ASSY	18

### A1 - CYLINDER HEAD ASSY



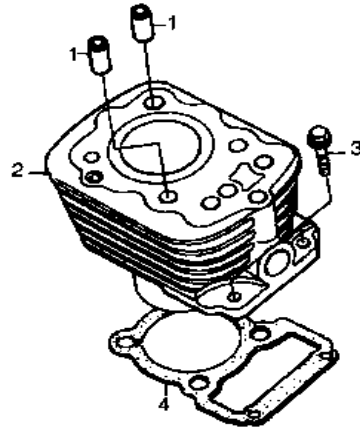
S.NO.	PART CODE	DESCRIPTION	QUANTITY
A1 - 1	6140040310012	CYLINDER HEAD COVER,BLACK	1
A1 - 2	6140200309000	GASKET, CYLINDER HEAD COVER	1
A1 - 3	6140250410082	SEALING WASHER $\phi 6$	1
A1 - 4	6140250150081	FLANGE BOLT M6 $\times$ 12	1
A1 - 5	6140250156082	FLANGE BOLT M6 $\times$ 28	3
A1 - 8	6140250181081	BOLT M8 $\times$ 32 $\times$ 12	4
A1 - 9	6140250404081	WASHER $\phi 12$	4
A1 - 10	6140500369000	SPARK PLUG	1
A1 - 11	6140041109012	CYLINDER HEAD COMP	1
A1 - 12	6140280108080	STUD M6 $\times$ 37	2
A1 - 13	6140201102000	GASKET,CYLINDER HEAD	1
A1 - 14	6140500319000	SEALING WASHER $\phi 8$	1
A1 - 15	6140250109082	FLANGE BOLT M8 $\times$ 79	1
A1 - 16	6140110329000	INTAKE PIPE	1
A1 - 17	6140500370000	CLIP, HIGH TENSION CORD	1

**A1 - CYLINDER HEAD ASSY**



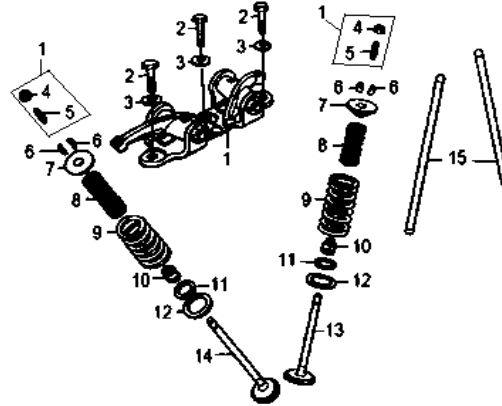
S.NO.	PART CODE	DESCRIPTION	QUANTITY
A1 - 18	6135010315082	FLANGE BOLT M6×25	2
A1 - 19	6135020102082	FLANGE NUT M6	2

**A2 - CYLINDER BLOCK**



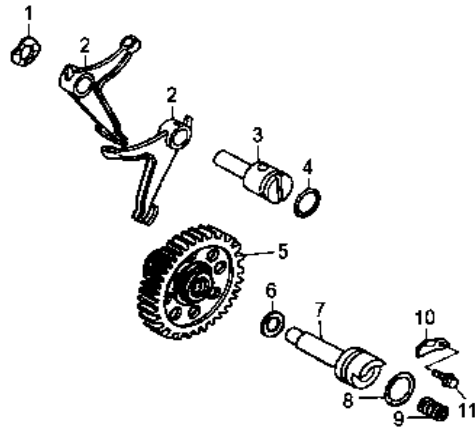
<b>S.NO.</b>	<b>PART CODE</b>	<b>DESCRIPTION</b>	<b>QUANTITY</b>
A2 - 1	6140250506000	DOWEL PIN, 10×20	2
A2 - 2	6140041101012	CYLINDER BLOCK, BLACK	1
A2 - 3	6140250169082	FLANGE BOLT M6×22	2
A2- 4	6140201104000	GASKET, CYLINDER BLOCK	1

### A3 - VALVE ASSY



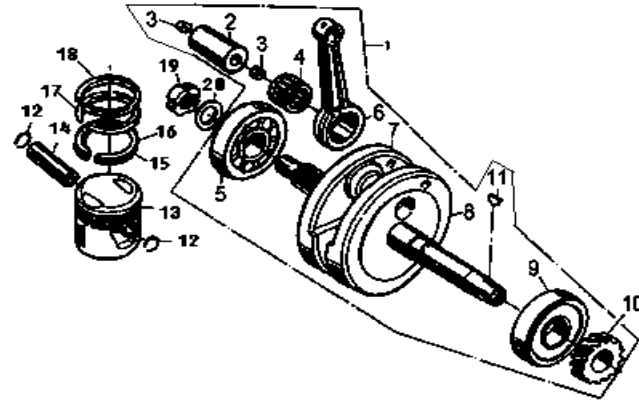
S.NO.	PART CODE	DESCRIPTION	QUANTITY
A3 - 1	6140110311000	ROCKER ARM BASE	1
A3 - 2	6140250126081	BOLT HEX M8×32	3
A3 - 3	6140500322000	WASHER φ8	3
A3 - 6	6140110313000	CLIP, VALVE	4
A3 - 7	6140110314000	RETAINER, VALVE SPRING	2
A3 - 8	6140210306000	VALVE SPRING, INNER	2
A3 - 9	6140210305000	VALVE SPRING, OUTER	2
A3 - 10	6140200382000	OIL SEAL, VALVE	2
A3 - 11	6140110339100	SEAT, VALVE SPRING INNER	2
A3 - 12	6140110339000	SEAT, VALVE SPRING OUTER	2
A3 - 13	6140111102000	INLET VALVE	1
A3 - 14	6140111102100	EXHAUST VALVE	1
A3 - 15	6140110303100	PUSH ROD	2

### A4 - CAM SHAFT ASSY



S.NO.	PART CODE	DESCRIPTION	QUANTITY
A4 - 1	6140250425000	WAVE WASHER 20×12.5×0.2	1
A4 - 2	6140110302000	ROCKER ARM	2
A4 - 3	6140110301000	SHAFT, ROCKER ARM	1
A4 - 4	6140200349000	O-RING 17×2.5	1
A4 - 5	6140110316000	CAM GEAR, TIMING	1
A4 - 6	6140110305000	WASHER φ14	1
A4 - 7	6140110340000	CAM SHAFT	1
A4 - 8	6140200347000	O-RING 20×2.5	1
A4 - 9	6140500333000	SPRING, CAM SHAFT	1
A4 - 10	6140113017000	CAMSHAFT STOPPER	1
A4 - 11	6140250150081	FLANGE BOLT M6×12	1

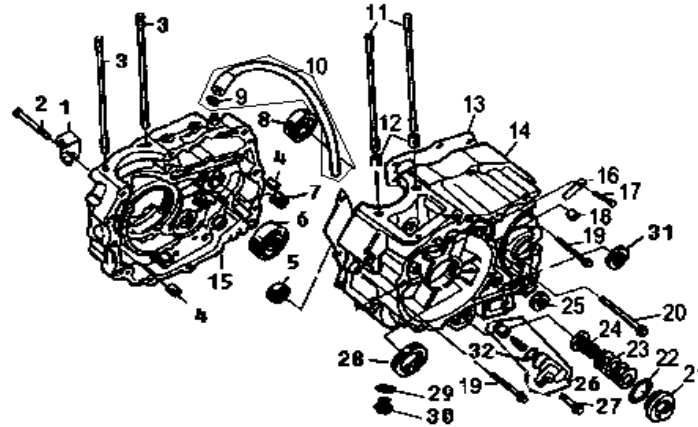
### A5 - CRANK SHAFT ASSY



S.NO.	PART CODE	DESCRIPTION	QUANTITY
A5 - 1	6140111101000	CRANK SHAFT ASSY	1
A5 - 5	6140110312100	BALL BEARING (6328)	1
A5 - 9	6140110312000	BALL BEARING (6328U)	1
A5 - 10	6140110399000	DRIVE GEAR, TIMING	1
A5 - 12	6140111104000	CIRCLIP 15 MM	2
A5 - 13	6140111108000	PISTON	1
A5 - 14	6140111110000	PISTON PIN	1
A5 - 15	6140111107200	PISTON RING COMP.	1
A5 - 16	6140111107300	PISTON RING COMP.	2
A5 - 17	6140111107100	PISTON RING 2	1
A5 - 18	6140111107000	PISTON RING 1	1
A5 - 19	6140250314081	NUT M16	1
A5 - 20	6140500379000	WASHER $\Phi$ 16.2	1

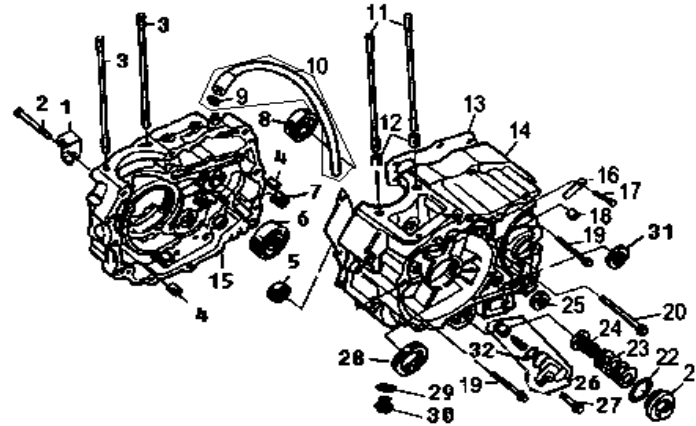


### A6 - CRANK CASE ASSY



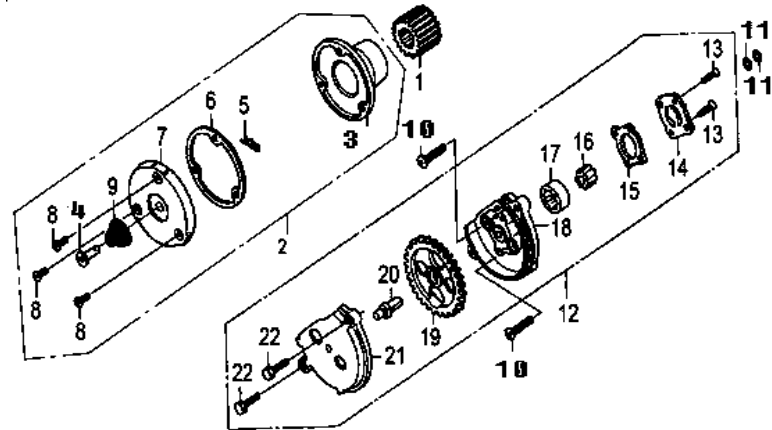
S.NO.	PART CODE	DESCRIPTION	QUANTITY
A6 - 1	6140500348182	STAY, CLUTCH CABLE	1
A6 - 2	6140251012082	BOLT HEX M6×55	1
A6 - 3	6140250106081	STUD M8×122	2
A6 - 4	6140250507000	DOWEL PIN 10×14	2
A6 - 5	6140210303400	RADIAL BALL BEARING, (6202 Z)	1
A6 - 6	6140210302000	RADIAL BALL BEARING, (6006)	1
A6 - 7	6140210308000	NEEDLE BEARING HK1512	1
A6 - 8	6140210304000	RADIAL BALL BEARING, (6204)	1
A6 - 10	6140500320000	PIPE, BREATHER (ZORRO)	1
A6 - 11	6140250105081	STUD M8×130	2
A6 - 12	6140250507000	DOWEL PIN 10×14	2
A6 - 13	6140200305000	GASKET, CRANKCASE	1
A6 - 14	6140030302012	LEFT CRANKCASE COMP	1
A6 - 15	6140030304012	RIGHT CRANKCASE COMP	1
A6 - 16	6140500315000	SPRING PROTECTOR	1

### A6 - CRANK CASE ASSY



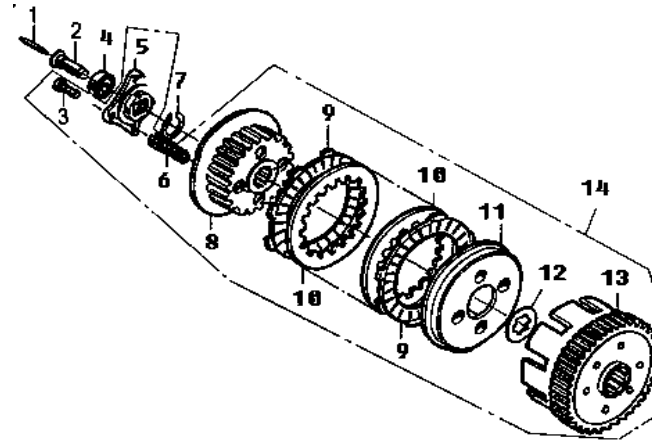
S.NO.	PART CODE	DESCRIPTION	QUANTITY
A6 - 17	6140250145082	FLANGE BOLT M6×12	1
A6 - 18	6140210307000	NEEDLE BEARING HK1010	1
A6 - 19	6140250137082	SCREW M6×50	9
A6 - 20	6140250127082	SCREW M6×95	1
A6 - 21	6140500325012	COVER	1
A6 - 22	6140200340000	O-RING 35×3	1
A6 - 23	6140210309000	SPRING, OIL FILTER STRAINER	1
A6 - 24	6140500360000	STRAINER, OIL FILTER COMP.	1
A6 - 25	6140200324000	OIL SEAL 14×28×7	1
A6 - 26	6140500309000	PRESSURE PIN	1
A6 - 27	6140250140081	FLANGE BOLT M6×25	1
A6 - 28	6140200318000	OIL SEAL 34×50×7	1
A6 - 29	6140250412000	WASHER, DRAIN PLUG φ12	1
A6 - 30	6140250162080	BOLT, DRAIN OIL M12×15	1
A6 - 31	6140200321000	OIL SEAL 20×34×7	1

**A7 - OIL PUMP/OIL FILTER ASSY**



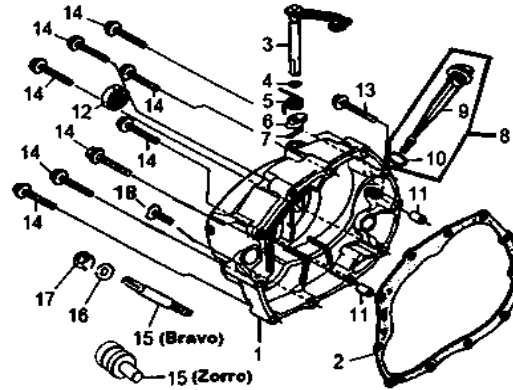
S.NO.	PART CODE	DESCRIPTION	QUANTITY
A7 - 1	6140100303000	DRIVEN GEAR	1
A7 - 2	6140500358000	OIL FILTER COMP	1
A7 - 10	6140250119081	SCREW, M6×30	2
A7 - 11	6140200332000	O-RING 9.4×2.4	2
A7 - 12	6140500365000	OIL PUMP ASSY (ZORRO)	1
A7 - 12	6140500363000	OIL PUMP ASSY (BRAVO)	1

### A8 - CLUTCH ASSY



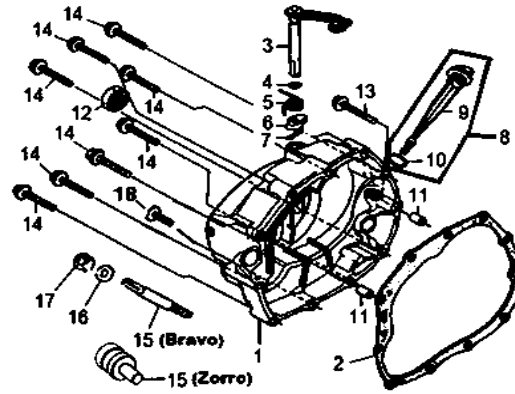
S.NO.	PART CODE	DESCRIPTION	QUANTITY
A8 - 1	6140100368000	ROD, CLUTCH PUSH	1
A8 - 2	6140500375000	SEPARATING AXLE SLEEVE	1
A8 - 4	6140210301000	BEARING 6001	1
A8 - 7	6140100317000	CIRCLIP 20MM	1
A8 - 9	6140100320500	CLUTCH FRICTION PLATE	6
A8 - 12	6140100316000	WASHER, MAIN AXLE $\Phi$ 37	1
A8 - 14	6140100327101	CLUTCH BODY ASSY	1

### A9 - RIGHT CRANKCASE COVER



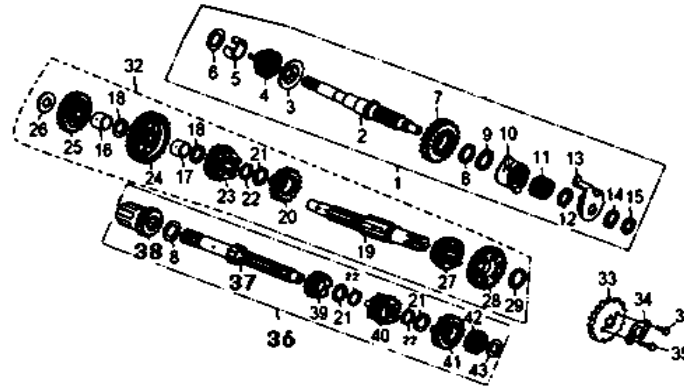
S.NO.	PART CODE	DESCRIPTION	QUANTITY
A9 - 1	6140020233012	RIGHT CRANKCASE COVER	1
A9 - 2	6140200303000	GASKET	1
A9 - 3	6140500339100	CLUTCH ROD	1
A9 - 4	6140200338000	O RING 6.8x1.9	1
A9 - 5	6140500347000	SPRING, CLUTCH ROD	1
A9 - 6	6140500354000	CAM, CLUTCH ROD	1
A9 - 7	6140250502000	PIN, SPLIT 2x16	1
A9 - 8	6140500362000	DIPSTICK OIL GAUGE	1
A9 - 11	6140250508000	DOWEL PIN 8x14	2
A9 - 12	6140200322000	OIL SEAL 16x28x7	1
A9 - 13	6140250137082	FLANGE BOLT M6x50	1
A9 - 14	6140250154082	FLANGE BOLT M6x40	10
A9 - 15	6140500308000	OUTPUT SHAFT (ZORRO)	1
A9 - 15	6140500307000	OUTPUT SHAFT (BRAVO)	1
A9 - 16	6140500306000	WASHER (BRAVO)	1

**A9 - RIGHT CRANKCASE COVER**



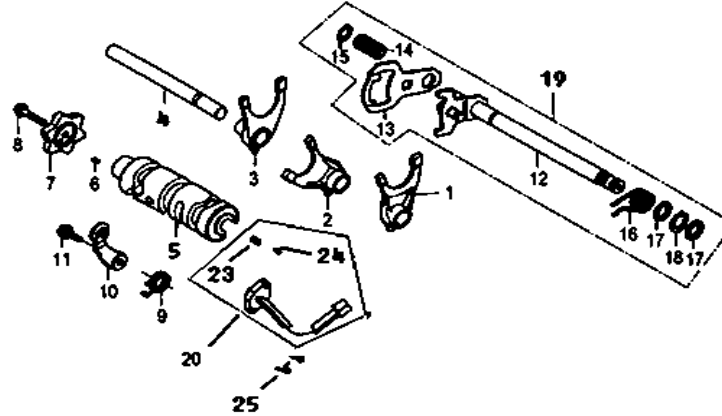
S.NO.	PART CODE	DESCRIPTION	QUANTITY
A9 - 17	6140200317000	OIL SEAL 6.5×14.5×7	1
A9 - 18	6140250105082	BOLT M5×25	1

### A10 - KICK/TRANSMISSION ASSY



S.NO.	PART CODE	DESCRIPTION	QUANTITY
A10 - 1	6140100311300	KICK STARTER SHAFT ASSY	1
A10 - 32	6140100334400	COUNTER SHAFT ASSY	1
A10 - 33	6140500302000	OUTPUT SPROCKET	1
A10 - 34	6140500301000	LOCATING PLATE, SPROCKET	1
A10 - 35	6140250132081	BOLT HEX M6×10	2
A10 - 36	6140100302300	MAIN SHAFT ASSY	1

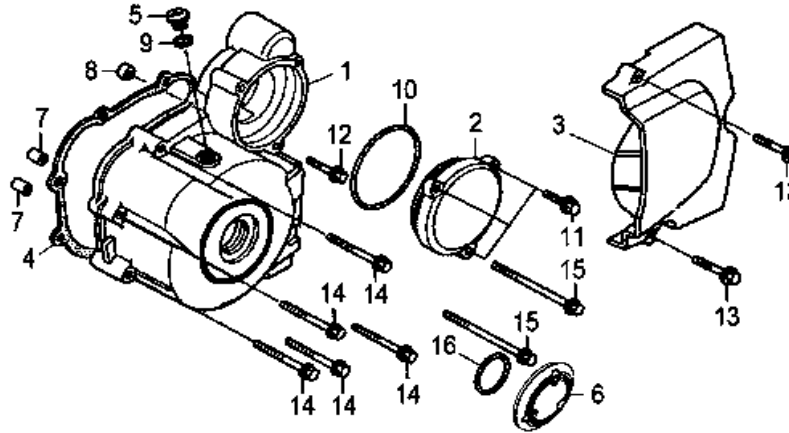
### A11 - GEAR SHAFT ASSY



S.NO.	PART CODE	DESCRIPTION	QUANTITY
A11 - 1	6140100376000	FORK, GEAR SHIFT, L	1
A11 - 2	6140100378000	FORK, CENTER GEAR SHIFT	1
A11 - 3	6140100377000	FORK, GEAR SHIFT, R	1
A11 - 4	6140100375000	SHAFT, GEAR SHIFT FORK	1
A11 - 5	6140100360000	DRUM, GEAR SHIFT	1
A11 - 6	6140251125500	ROLLER 4x10	1
A11 - 7	6140100305000	CAM, GEAR SHIFT	1
A11 - 8	6140250130181	FLANGE BOLT M6x25	1
A11 - 9	6140100309000	RESET SPRING	1
A11 - 10	6140100308000	DRUM STOPPER	1
A11 - 11	6140250131081	BOLT HEX M6x20	1
A11 - 19	6140100330200	GEARSHIFT SHAFT COMP	1
A11 - 20	6140100335300	GEAR DISPLAY	1
A11 - 25	6140250207081	SCREW M4x16	2

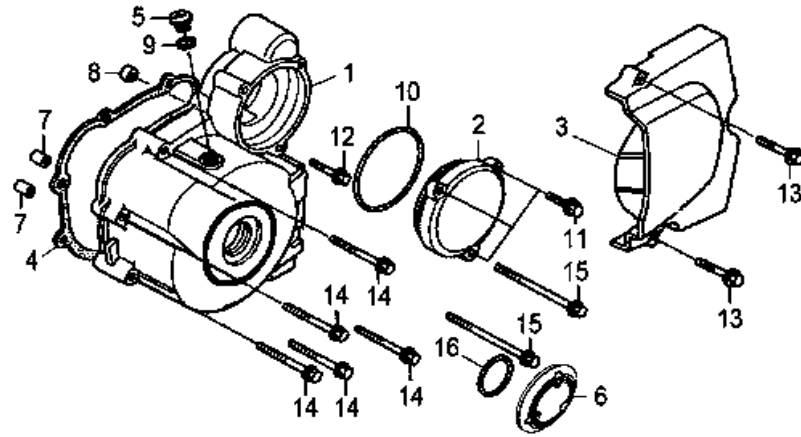


### A12 - LEFT CRANKCASE COVER



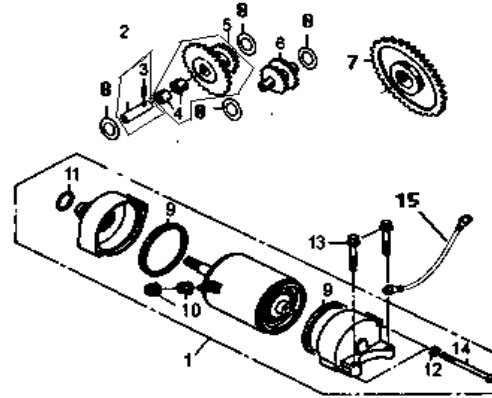
S.NO.	PART CODE	DESCRIPTION	QUANTITY
A12 - 1	6140010227012	LEFT CRANKCASE COVER	1
A12 - 2	6140050302012	UPPER COVER	1
A12 - 3	6140420004012	CHAIN GUARD, LEFT CRANK CASE	1
A12 - 4	6140200301000	GASKET, LEFT CRANK CASE COVER	1
A12 - 5	6140500312000	PLUG, WATCH HOLE	1
A12 - 6	6140050604012	COVER	1
A12 - 7	6140250507000	DOWEL PIN 10×14	2
A12 - 8	6140210307000	NEEDLE BEARING (HK1010)	1
A12 - 9	6140200350000	O-RING 13×2.8	1
A12 - 10	6140200345000	O-RING 60×3	1
A12 - 11	6140250158082	FLANGE BOLT M6×20	3
A12 - 12	6140250154081	FLANGE BOLT M6×25	1
A12 - 13	6135010316082	FLANGE BOLT M6×28	2
A12 - 14	6140250154082	FLANGE BOLT M6×40	5
A12 - 15	6140250137082	FLANGE BOLT M6×50	2

**A12 - LEFT CRANKCASE COVER**



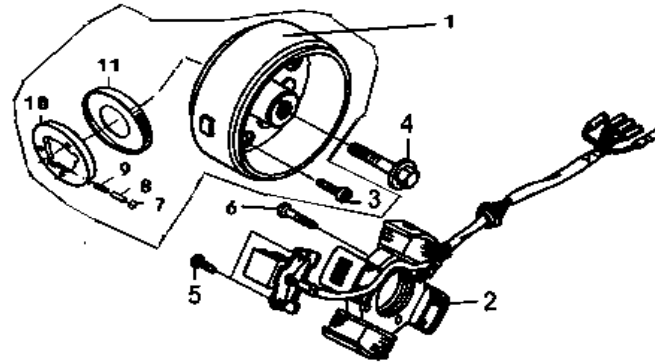
S.NO.	PART CODE	DESCRIPTION	QUANTITY
A12 - 16	6140200343000	O-RING 27.4x2.4	1

**A13 - STARTING MOTOR ASSY**



S.NO.	PART CODE	DESCRIPTION	QUANTITY
A13 - 1	6140100370012	STARTING MOTOR ASSY	1
A13 - 2	6140100310000	DOUBLE GEAR SHAFT 1	1
A13 - 5	6140500355000	DOUBLE GEAR ASSY 1	1
A13 - 6	6140100304000	DOUBLE GEAR ASSY 2	1
A13 - 7	6140100315000	STARTING GEAR	1
A13 - 8	6140250406000	WASHER $\phi 10$	4
A13 - 13	6140250156082	FLANGE BOLT M6 $\times$ 28	2
A13 - 15	6140500378000	CATHODE WIRE	1

**A14 - MAGNETO ASSY**




S.NO.	PART CODE	DESCRIPTION	QUANTITY
A14 - 1	6140100346000	FLYWHEEL COMP	1
A14 - 2	6140100349000	STATOR, MAGNETO	1
A14 - 4	6140250185084	BOLT, ROTOR SETTING M10×35	1
A14 - 5	6140250135081	PAN SCREW M5×16	2
A14 - 6	6140250134081	PAN SCREW M5×25	3



***Raybar***

[www.raybarmotorcycles.com](http://www.raybarmotorcycles.com)

 /raybarmoto