



STRIKER 150
RY-150SK



SPARES

BODY PARTS

INDEX

ASSY NO.	DESCRIPTION	PAGE NO.
A1	FRAME ASSY	1
A2	STEERING STEM ASSY	2
A3	HANDLE BAR ASSY	3
A4	SPEEDOMETER/HEADLIGHT HOUSING	4
A5	LIGHTS	5
A6	ELECTRICAL PARTS	6
A7	FUEL TANK/FUEL TANK COVERS	7
A8	FRONT FENDER/REAR COVER	8
A9	OTHER PLASTIC PARTS	9
A10	SHOCK ABSORBERS	10
A11	SEAT/REAR HANDRAIL	11
A12	AIR CLEANER ASSY	12
A13	FOOTREST ASSY	13
A14	MUFFLER ASSY	14
A15	BRAKE ASSY	15
A16	OTHER SHEET METAL & TUBULAR PARTS	16
A17	WHEEL ASSY	17-18
A18	CONTROL CABLES	19
A19	SPRINGS	20
A20	CARBURETTOR /FUEL COCK/FUEL SENSOR	21
A21	TUBES	22
A22	LOCK SET	23
A23	BATTERY	24
A24	TOOLS	25
A25	FASTENERS	26-28

A1 - FRAME ASSY



S.NO.	PART CODE	DESCRIPTION	QUANTITY
A1 - 1	31100-J0V2-000065	FRAME BODY	1
A1 - 2	31210-J0V2-000065	ENGINE HANGER, L/R	2
A1 - 3	32303-I538-090065	ENGINE SUPPORT BRACKET	1

A2 - STEERING STEM ASSY



S.NO.	PART CODE	DESCRIPTION	QUANTITY
A2 - 1	71104-J0V2-0000	TOP NUT, STEERING STEM	1
A2 - 2	71191-J0V2-0000	STEERING COLUMN FLAT PAD	1
A2 - 3	71105-J0V2-0000	FOUR-SLOT ADJUMENT NUT	2
A2 - 4	71107-J0V2-0000	DUST COVER	1
A2 - 5	71204-I846-0000	LOWER BALL CAP	1
A2 - 6	71205-J0V2-0000	BALL RING	2
A2 - 7	71201-I846-0000	UPPER BOWL, BEARING	1
A2 - 8	71202-I846-0000	LOWER BOWL, BEARING	1
A2 - 9	71203-I846-0000	UPPER BALL CAP	1
A2 - 10	71101-J0V2-000065	UPPER CONNECTING PLATE	1
A2 - 11	72106-J0V2-C000	PRESS PAD, HANDLEBAR	2
A2 - 12	71120-I846-000065	STEERING COLUMN	1

A3 - HANDLE BAR ASSY



S.NO.	PART CODE	DESCRIPTION	QUANTITY
A3 - 1	69120-I219-C000	REAR VIEW MIRROR, R	1
A3 - 2	69110-I219-C000	REAR VIEW MIRROR, L	1
A3 - 3	08216-0000-1300	STRAP 60×12MM	1
A3 - 4	72100-J0V2-00000G	HANDLE BAR	1
A3 - 5	72209-I0P9-000066	CLUTCH LEVER	1
A3 - 6	72020-I923-0000	HANDLE GRIP, R	1
A3 - 7	72010-I923-0000	HANDLE GRIP, L	1
A3 - 8	72030-I923-00000G	END COVER, HANDLE BAR	2
A3 - 9	72301-J0V2-0000	CONTROL SWITCH, R	1
A3 - 10	72201-J0V2-0100	CONTROL SWITCH, L	1

A4 - SPEEDOMETER/HEADLIGHT HOUSING



S.NO.	PART CODE	DESCRIPTION	QUANTITY
A4-1	63424-J0V2-010065	BRACKET WINDSHIED, R	1
A4-2	63423-J0V2-010065	BRACKET WINDSHIED, L	1
A4-3	6222B-0000-1200	RUBBER BUSH, WINDSHIELD	4
A4-4	31168-J0V2-00000L	CLAMP	1
A4-5	63752-J0V2-00004C	HEADLIGHT COVER, R (WHITE)	1
A4-5	63752-J0V2-000011	HEADLIGHT COVER, R (RED)	1
A4-5	63752-J0V2-000068	HEADLIGHT COVER, R (BLACK)	1
A4-6	63758-J0V2-0100	WINDSHIELD	1
A4-7	63751-J0V2-00004C	HEADLIGHT COVER, L (WHITE)	1
A4-7	63751-J0V2-000011	HEADLIGHT COVER, L (RED)	1
A4-7	63751-J0V2-000068	HEADLIGHT COVER, L (BLACK)	1
A4-8	63501-J0V2-010066	HEADLIGHT HOUSING	1
A4-9	63504-J0V2-0000	BACK COVER, HEADLIGHT HOUSING	1
A4-10	87100-J0V2-0000	SPEEDOMETER ASSEMBLY	1

A5 - LIGHTS



S.NO.	PART CODE	DESCRIPTION	QUANTITY
A5 - 1	86100-J0V2-0000	HEADLIGHT ASSY	1
A5 - 2	86160-0000-0000	BULB, HEADLIGHT	1
A5 - 3	86300-J0V2-0000	FRONT TURN LIGHT, L	1
A5 - 4	86400-J0V2-0000	FRONT TURN LIGHT, R	1
A5 - 5	86500-I0D1-0000	REAR TURN LIGHT, L	1
A5 - 6	86600-I0D1-0000	REAR TURN LIGHT, R	1
A5 - 7	86200-J0V2-0000	TAIL LIGHT ASSY	1
A5 - 8	86700-J0A2-0000	REAR LICENSE PLATE LIGHT	1

A6 - ELECTRICAL PARTS



S.NO.	PART CODE	DESCRIPTION	QUANTITY
A6 - 1	85100-J0V2-0000	WIRE HARNESS	1
A6 - 2	85600-I923-0000	FLASHER	1
A6 - 3	83100-H337-0000	RECTIFIER	1
A6 - 4	84600-J0V2-0000	REAR BRAKE SWITCH CABLE	1
A6 - 5	81100-I219-0300	IGNITION COIL	1
A6 - 6	63713-I846-0000	BELT	1
A6 - 7	82290-J0V2-0000	START RELAY	1
A6 - 8	85500-J0V2-0000	HORN	1
A6 - 9	81200-I258-0100	CDI	1

A7 - FUEL TANK/FUEL TANK COVERS



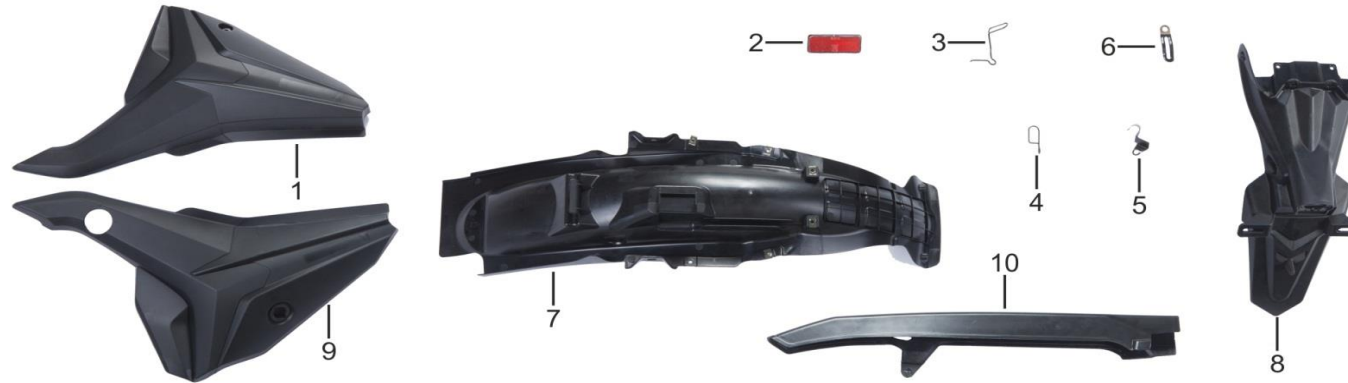
S.NO.	PART CODE	DESCRIPTION	QUANTITY
A7 - 1	61111-I846-0000	FUEL TANK FRONT CUSHION RUBBER	2
A7 - 2	61264-J0V2-000065	BRACKET, FUEL TANK COVER	1
A7 - 3	61132-J0V2-00C24C	FUEL TANK COVER, R (WHITE)	1
A7 - 3	61132-J0V2-00C311	FUEL TANK COVER, R (BLACK)	1
A7 - 3	61132-J0V2-00C368	FUEL TANK COVER, R (RED)	1
A7 - 4	6113B-J0V2-0000	FUEL TANK INNER COVER , R	1
A7 - 5	61100-J0V2-C0C24C	FUEL TANK (WHITE)	1
A7 - 5	61100-J0V2-C0C311	FUEL TANK (RED)	1
A7 - 5	61100-J0V2-C0C368	FUEL TANK (BLACK)	1
A7 - 6	61121-I846-0100	FUEL TANK REAR CUSHION RUBBER	1
A7 - 7	61119-I846-0000	FUEL TANK REAR RUBBER RING	1
A7 - 8	61131-J0V2-00C24C	FUEL TANK COVER, L (WHITE)	1
A7 - 8	61131-J0V2-00C311	FUEL TANK COVER, L (BLACK)	1
A7 - 8	61131-J0V2-00C368	FUEL TANK COVER, L (RED)	1
A7 - 9	6113A-J0V2-0000	FUEL TANK INNER COVER, L	1

A8 - FRONT FENDER/REAR COVER



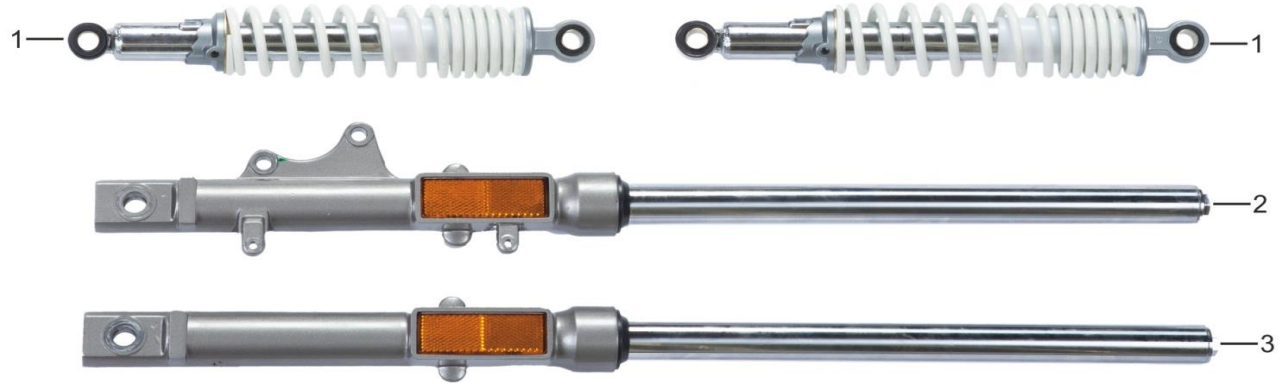
S.NO.	PART CODE	DESCRIPTION	QUANTITY
A8 - 1	63104-J0V2-0000A5	FRONT FENDER (RED)	1
A8 - 1	63104-J0V2-0000A7	FRONT FENDER (BLACK)	1
A8 - 1	63104-J0V2-0000BU	FRONT FENDER (WHITE)	1
A8 - 2	63111-I680-0000	GROMMET	2
A8 - 3	63352-J0V2-00C2BU	REAR COVER, R (WHITE)	1
A8 - 3	63352-J0V2-00C3A5	REAR COVER, R (RED)	1
A8 - 3	63352-J0V2-00C3A7	REAR COVER, R (BLACK)	1
A8 - 4	63341-J0V2-00C2BU	REAR COVER , L (WHITE)	1
A8 - 4	63341-J0V2-00C3A5	REAR COVER, L (RED)	1
A8 - 4	63341-J0V2-00C3A7	REAR COVER, L (BLACK)	1
A8 - 5	63602-J0V2-000068	TAIL COVER (BLACK)	1
A8 - 5	63602-J0V2-00004C	TAIL COVER (WHITE)	1
A8 - 5	63602-J0V2-000011	TAIL COVER (RED)	1

A9 - OTHER PLASTIC PARTS



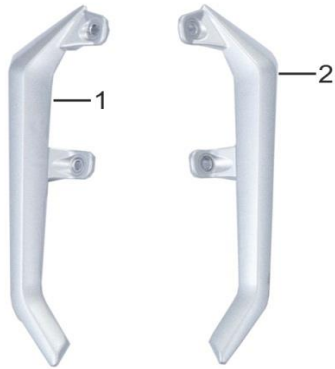
S.NO.	PART CODE	DESCRIPTION	QUANTITY
A9 - 1	63332-J0V2-0000	SIDE COVER, R	1
A9 - 2	85830-I538-0000	REFLECTOR, REAR	1
A9 - 3	72611-J0V2-0B0065	CLIP,CLUTCH CABLE	1
A9 - 4	72611-J0V2-0A0065	CLIP,CLUTCH CABLE	1
A9 - 5	87345-J0V2-0A00	CABLE BRACKET	1
A9 - 6	31168-J0V2-00000L	CLAMP	1
A9 - 7	63201-J0V2-0000	FRONT PART,REAR FENDER	1
A9 - 8	63203-J0V2-0000	REAR FENDER	1
A9 - 9	63301-J0V2-0000	SIDE COVER, L	1
A9 - 10	35110-I846-0000	CHAIN CASE	1

A10 - SHOCK ABSORBERS



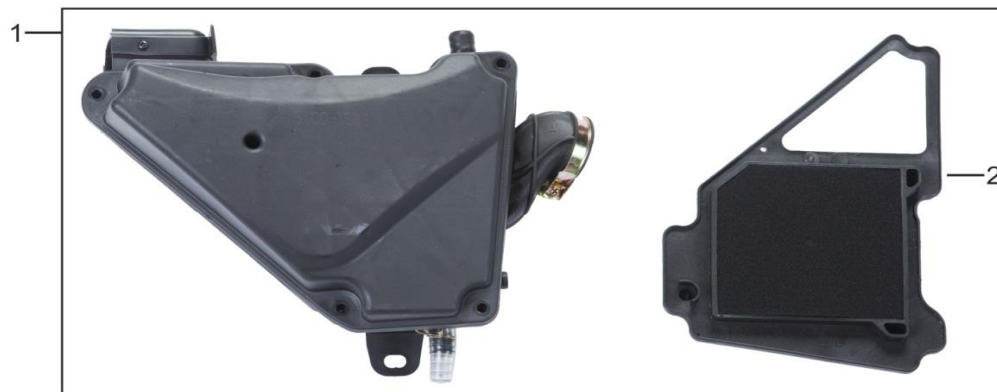
S.NO.	PART CODE	DESCRIPTION	QUANTITY
A10-1	33300-J0V2-01004C	REAR SHOCK ABSORBER, L/R	2
A10-2	34200-J0V2-0000ZG	FRONT SHOCK ABSORBER, R	1
A10-3	34100-J0V2-0000ZG	FRONT SHOCK ABSORBER, L	1

A11 - SEAT/REAR HANDRAIL



S.NO.	PART CODE	DESCRIPTION	QUANTITY
A11-1	42217-JOV2-000071	REAR HAND RAIL, L	1
A11-2	42218-JOV2-000071	REAR HAND RAIL, R	1
A11-3	41100-JOV2-0000	SEAT	1

A12 - AIR CLEANER ASSY



S.NO.	PART CODE	DESCRIPTION	QUANTITY
A12 - 1	16100-I846-0000	AIR CLEANER ASSY	1
A12- 2	16101-J0V2-C000	AIR FILTER	1

A13 - FOOTREST ASSY



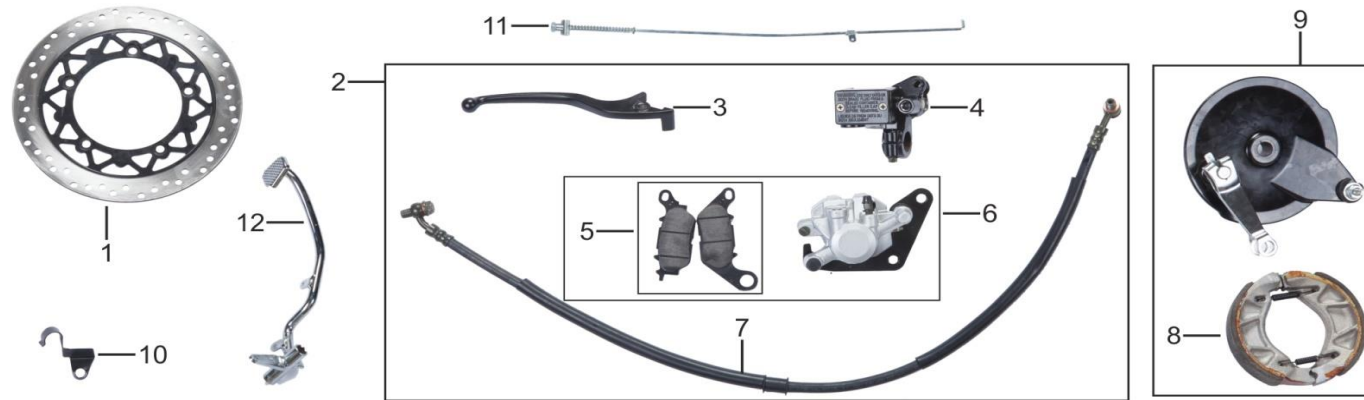
S.NO.	PART CODE	DESCRIPTION	QUANTITY
A13 - 1	32170-JOV2-000065	FRONT FOOTREST	1
A13 - 2	32101-I846-0000	RUBBER, FRONT FOOTREST	2
A13 - 3	32440-JOV2-0000	REAR FOOTREST ASSY, R	1
A13 - 4	32430-JOV2-0000	REAR FOOTREST ASSY, L	1
A13 - 5	32410-JOV2-000065	BRACKET,REAR FOOT REST, L	1
A13 - 6	32420-JOV2-000065	BRACKET,REAR FOOT REST, R	1
A13 - 7	32474-JOV2-00000P	REAR FOOTREST HOLDER, R	1
A13 - 8	32473-JOV2-00000P	REAR FOOT REST HOLDER, L	1

A14 - MUFFLER ASSY



S.NO.	PART CODE	DESCRIPTION	QUANTITY
A14 - 1	18000-J0V2-010066	MUFFLER ASSY	1
A14 - 2	18011-J0V2-000066	MUFFLER WITHOUT COVERS	1
A14 - 3	1804S-J0U2-C00066	MUFFLER COVER	1
A14 - 4	1804C-J0U2-C00071	TAIL CAP, MUFFLER	1

A15 - BRAKE ASSY



S.NO.	PART CODE	DESCRIPTION	QUANTITY
A15 - 1	53001-I846-020065	DISC PLATE, FRONT DISC BRAKE	1
A15 - 2	53000-J0V2-000071	FRONT BRAKE ASSY	1
A15 - 3	72309-J0V2-0000	BRAKE LEVER	1
A15 - 4	53012-J0V2-0000	UPPER PUMP,FRONT DISC BRAKE	1
A15 - 5	54120-J0V2-C000	BRAKE PAD, FRONT DISC BRAKE	1
A15 - 6	53014-J0V2-0000	CALIPER ASSY, FRONT DISC BRAKE	1
A15 - 7	53002-J0V2-0000	BRAKE OIL PIPE, FRONT DISC BRAKE	1
A15 - 8	54220-I219-0100	REAR BRAKE SHOE ASSY	1
A15 - 9	54200-J0V2-000065	REAR BRAKE PANEL	1
A15 - 10	71183-J0V2-0000	CLAMP, BRAKE OIL PIPE	1
A15 - 11	52200-J0V2-00001X	REAR BRAKE ROD	1
A15 - 12	52100-J0V2-0000	REAR BRAKE PEDAL	1

A16 - OTHER SHEET METAL & TUBULAR PARTS



S.NO.	PART CODE	DESCRIPTION	QUANTITY
A16 - 1	35200-JOV2-000065	REAR FORK	1
A16 - 2	35011-I538-09001X	CHAIN ADJUSTER, L	1
A16 - 3	35012-I538-09001X	CHAIN ADJUSTER, R	1
A16 - 4	26402-I846-0000	CHAIN GUIDE	1
A16 - 5	35281-JOV2-01000L	AXLE, REAR FORK	1
A16 - 6	35215-G124-0000	TORSION BAR	1
A16 - 7	21200-I166-02000G	KICK STARTER	1
A16 - 8	24400-JOV2-0100	PEDAL GEAR CHANGE	1
A16 - 9	32130-JOV2-020065	SIDE STAND	1
A16 - 10	32200-JOV2-000065	MAIN STAND	1
A16 - 11	32203-JOV2-00001X	HOOK , MAIN STAND	1
A16 - 12	32281-JOV2-01001X	AXLE, MAIN STAND	1
A16 - 13	68100-JOV2-00000G	ENGINE GUARD	1

A17 - WHEEL ASSY



S.NO.	PART CODE	DESCRIPTION	QUANTITY
A17 - 1	51103-I166-0000	FRONT TYRE	1
A17 - 2	51104-I166-0000	FRONT TUBE	1
A17 - 3	51120-J0V2-060065	FRONT ALLOY WHEEL	1
A17 - 4	51181-J0V2-00001X	AXLE,FRONT WHEEL	1
A17 - 5	51102-J0V2-00001X	COLLAR, FRONT AXLE	1
A17 - 6	87330-I846-000065	GEAR, SPEEDOMETER	1

A17 - WHEEL ASSY



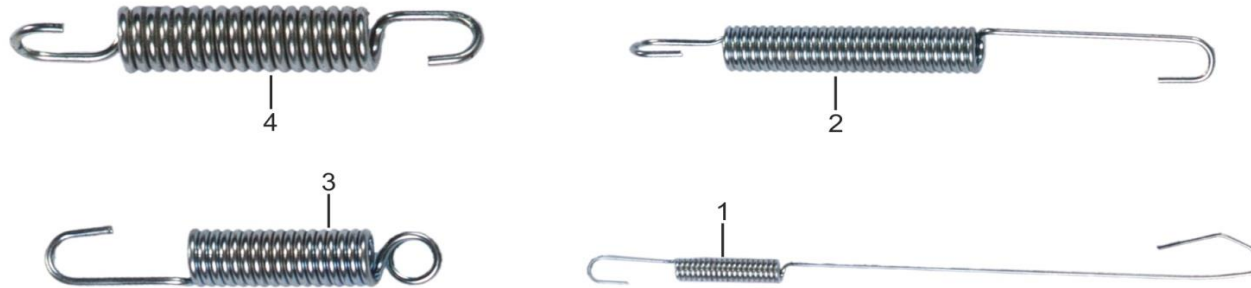
S.NO.	PART CODE	DESCRIPTION	QUANTITY
A17 - 7	51203-I219-0000	REAR TYRE	1
A17 - 8	51204-I219-0000	REAR TUBE	1
A17 - 9	51220-J0V2-060065	REAR ALLOY WHEEL	1
A17 - 10	51281-J0V2-00001X	AXLE,REAR WHEEL	1
A17 - 11	55002-J0V2-00001X	SPROCKET	1
A17 - 12	55015-I846-00001X	INNER COLLAR, REAR SPROCKET	1
A17 - 13	55001-I219-0000	BUFFER	1
A17 - 14	51202-J0V2-00001X	COLLAR R, REAR AXLE	1
A17 - 15	51201-J0V2-00001X	COLLAR L, REAR AXLE	1
A17 - 16	26400-428G-0120	CHAIN	1
A17 - 17	55007-I538-09001X	LOCK CLIP	2
A17 - 18	51218-0000-3300	CUSHION RUBBER, REAR WHEEL	4

A18 - CONTROL CABLES



S.NO.	PART CODE	DESCRIPTION	QUANTITY
A18 - 1	72600-J0V2-C0000L	CLUTCH CABLE	1
A18 - 2	72700-J0V2-0000	CHOKE CABLE	1
A18 - 3	72400-J0V2-00000L	THROTTLE CABLE	1
A18 - 4	87300-J0V2-01000L	SPEEDOMETER CABLE	1

A19 - SPRINGS



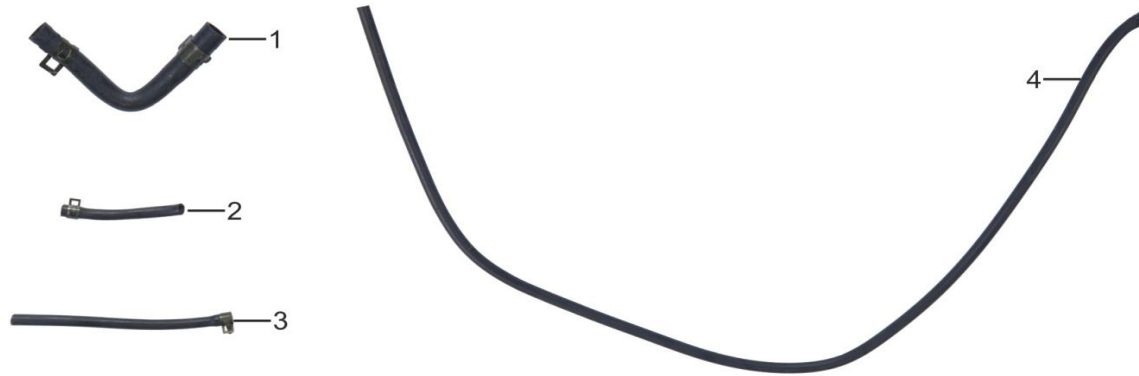
S.NO.	PART CODE	DESCRIPTION	QUANTITY
A19 - 1	84602-I160-00001X	SPRING, REAR BRAKE SWITCH	1
A19 - 2	52105-J0V2-00001X	SPRING, REAR BRAKE PEDAL	1
A19 - 3	32102-J0V2-00001X	SPRING,SIDE STAND	1
A19 - 4	32202-J0V2-00001X	SPRING,MAIN STAND	1

A20 - CARBURETTOR /FUEL COCK/FUEL SENSOR



S.NO.	PART CODE	DESCRIPTION	QUANTITY
A20 - 1	17100-I166-C500	CARBURETOR	1
A20 - 2	15800-I160-C600	INTAKE PIPE	1
A20 - 3	61150-J0A2-0000	FUEL COCK	1
A20 - 4	87200-J0V2-0000	FUEL SENSOR	1

A21 - TUBES



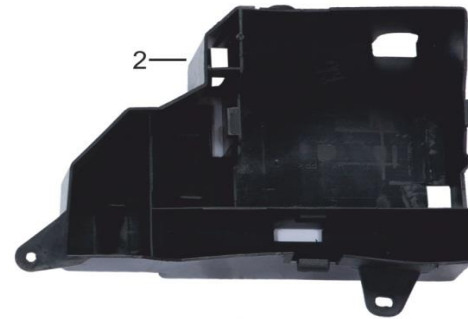
S.NO.	PART CODE	DESCRIPTION	QUANTITY
A21 - 1	18092-0000-B108	RUBBER PIPE , EXHAUST GAS CYCLE	1
A21 - 2	613140080ZPT00000	OIL PIPE, SMALL	1
A21 - 3	613140150ZPT00000	OIL PIPE, BIG	1
A21 - 4	613140800ZPT00000	DRAIN PIPE	1

A22 - LOCK SET



S.NO.	PART CODE	DESCRIPTION	QUANTITY
A22 - 1	07002-J0V2-C100	LOCK SET	1

A23 - BATTERY



S.NO.	PART CODE	DESCRIPTION	QUANTITY
A23 - 1	83200-I166-C000	BATTERY	1
A23 - 2	63705-I846-0000	BATTERY BOX	1
A23 - 3	83210-I538-0000	BAND BATTERY	1

A24 - TOOLS



S.NO.	PART CODE	DESCRIPTION	QUANTITY
A24 - 1	07002-J0V2-C100	TOOL KIT	1

A25 - FASTENERS

ASSY NO.	PART NO.	DESCRIPTION	QUANTITY
A1	B057890008006871X	FLANGE BOLT M8x68	4
A1	B057890008008071X	FLANGE BOLT M8x80	2
A1	B057890008008871X	FLANGE BOLT M8x88	2
A1	B1667402100105T1X	FLANGE BOLT M10x1.25x105	2
A1	B000700108004571X	SCREW M8x45	1
A1	B061870108000061X	FLANGE LOCK NUT M8	7
A1	B061870210000061X	FLANGE LOCK NUT M10	2
A1	B000700108003571X	SCREW M8x35	1
A2	B057890006001271X	FLANGE BOLT M6x12	1
A2	B090741708004071X	BOLT M8x35 (WITH WASHER)	6
A2	B090741710004071X	BOLT M10x40 (WITH WASHER)	2
A3	B090741708003570G	BOLT M8x35 (WITH WASHER)	4
A4	B057890006001671X	FLANGE BOLT M6x16	2
A4	9A145-1060-016700	SCREW M6x12	2
A4	B008450004201320L	TAPPING SCREW ST4.2x13	9
A4	B008450004201620L	TAPPING SCREW ST4.2x16	7
A4	91205-1042-01100L	TAPPING CLIP ST4.2x11	6
A4	9A113-1050-01470L	SCREW M5x14	4
A4	B061770005000060L	NUT M5	8
A4	B008180005001620L	SCREW M5x16	4
A5	B000700105002071X	SCREW M8x20	1
A5	B008450004201320L	TAPPING SCREW ST4.2x13	8
A5	B008450004201620L	TAPPING SCREW ST4.2x16	11
A5	B0009701050000K1X	WASHER ϕ 5	1
A5	91205-1042-01100L	TAPPING CLIP ST4.2x11	15
A5	B061770005000060L	NUT M5	1
A6	B057890006001271X	FLANGE BOLT M6x12	1
A6	B057890006001671X	FLANGE BOLT M6x16	2
A6	B057890006002071X	FLANGE BOLT M6x20	2
A7	B057890008001671X	FLANGE BOLT M8x16	1

A25 - FASTENERS

ASSY NO.	PART NO.	DESCRIPTION	QUANTITY
A7	9A137-1060-01270L	SCREW M6x12	7
A7	B008450004201320L	TAPPING SCREW ST4.2x13	6
A7	91301-0085-38021X	WASHER φ8.5	1
A8	91112-1060-01771X	FLANGE BOLT M6x17	4
A8	B008450004201320L	TAPPING SCREW ST4.2x13	10
A8	91205-1042-01100L	TAPPING CLIP ST4.2x11	8
A9	B057890006001271X	FLANGE BOLT M6x12	11
A9	91112-1060-01771X	FLANGE BOLT M6x17	1
A9	B008450004201320L	TAPPING SCREW ST4.2x13	4
A9	B0009601060000K1X	WASHER φ6	7
A9	B0009701060000K1X	WASHER φ6	2
A9	91205-1042-01100L	TAPPING CLIP ST4.2x11	4
A10	B009230010000060G	CAP NUT M10	4
A10	91301-0100-28020G	WASHER φ10	4
A10	91301-0120-228K0G	WASHER φ15	2
A11	B000700208002570G	SCREW M8x25	4
A12	B057890006001671X	FLANGE BOLT M6x16	2
A12	B0009601060000K1X	WASHER φ6	2
A13	B057890010005071X	FLANGE BOLT M10x1.25x50	1
A13	B090741708002071X	BOLT M8x20 (WITH SPRING & FLAT WASHER)	4
A13	B057890010002070X	FLANGE BOLT M10x1.25x20	1
A13	9A145-1060-016700	SCREW M6x16	2
A14	B061770210000061X	FLANGE NUT M10	1
A14	B000700108003071X	SCREW M8x30	2
A14	B000930008000001X	WASHER φ8	2
A16	B057890006002071X	FLANGE BOLT M6x20	1
A16	B061770106000061X	FLANGE NUT M6	1
A16	B0009701060000K1X	WASHER φ6	1
A16	91301-0150-224K1X	WASHER φ15	1
A16	B057830008005071X	BOLT M8x50	2


A25 - FASTENERS

ASSY NO.	PART NO.	DESCRIPTION	QUANTITY
A16	B061700008000061X	NUT M8	2
A16	91113-6060-03071X	BOLT M6x30	1
A16	91115-1080-02571X	BOLT M8x25	1
A17	B057820008003870B	FLANGE BOLT M8x38	4
A17	91211-1080-07061X	NUT M8	4
A17	B061700114000061X	NUT M14	1
A20	B057890006002571X	FLANGE BOLT M6x25	4
A20	B061770106000061X	FLANGE NUT M6	6
A22	B057890006001671X	FLANGE BOLT M6x16	2
A22	B057890006002571X	FLANGE BOLT M6x25	2
A22	B061770106000061X	FLANGE NUT M6	2
A23	B057890006001271X	FLANGE BOLT M6x12	2
A23	B057890006001671X	FLANGE BOLT M6x16	1
A23	B0009601060000K1X	WASHER ϕ 6	3



Raybar

www.raybarmotorcycles.com

 /raybarmoto