



**FELSIG 200**  
RY-200FS



**SPARES**

**BODY PARTS**

## INDEX

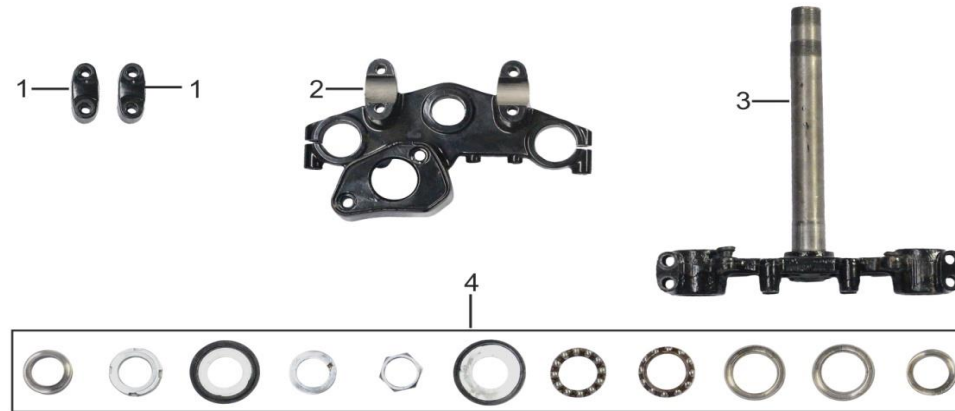
<b>ASSY NO.</b>	<b>DESCRIPTION</b>	<b>PAGE NO.</b>
A1	FRAME ASSY	1
A2	STEERING STEM ASSY	2
A3	HANDLE BAR ASSY	3-4
A4	FRONT LIGHTS	5
A5	REAR LIGHTS	6
A6	SPEEDOMETER ASSY	7
A7	ELECTRICAL PARTS	8
A8	PAINTED PLASTIC PARTS	9-10
A9	OTHER PLASTIC PARTS	11
A10	SHOCK ABSORBERS	12
A11	SEAT/REAR HANDRAIL	13
A12	FUEL TANK ASSY	14
A13	AIR CLEANER/CARBURETOR ASSY	15
A14	FOOTREST ASSY	16
A15	REAR FORK ASSY	17
A16	MUFFLER ASSY	18
A17	PEDALS	19
A18	BRAKE ASSY	20
A19	WHEEL ASSY	21-22
A20	CONTROL CABLES	23
A21	LOCK SET	24
A22	BATTERY	25
A23	TOOLS	26
A24	FASTENERS	27-29

### A1 - FRAME ASSY



S.NO.	PART CODE	DESCRIPTION	QUANTITY
A1-1	R85A0007A	FRAME BODY	1
A1-2	R512A260	UPPER ENGINE HANGER, L	1
A1-3	R511A270	UPPER ENGINE HANGER, R	1
A1-4	PC2A2417A	FRONT ENGINE HANGER, L	1
A1-5	PC2A2427A	FRONT ENGINE HANGER, R	1
A1-6	PEAA25006	ENGINE HANGER REAR	1
A1-7	PEAA1107A	SIDE STAND	1
A1-8	P17K020	SPRING, SIDE STAND	1
A1-9	PEAP0757A	BRACKET, LICENSE PLATE	1

**A2 - STEERING STEM ASSY**



S.NO.	PART CODE	DESCRIPTION	QUANTITY
A2-1	R84J0017A	PRESS PAD, HANDLE BAR	2
A2-2	R841B0607A	UPPER CONNECTING PLATE	1
A2-3	R84B050037A	STEERING COLUMN	1
A2-4	PC2H000	STEERING BEARING ASSY	1

### A3 - HANDLE BAR ASSY



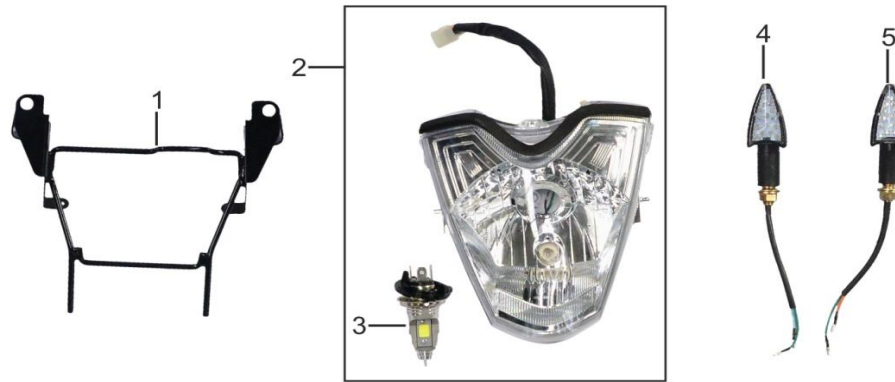
S.NO.	PART CODE	DESCRIPTION	QUANTITY
A3-1	R57C040	REAR VIEW MIRROR, R	1
A3-2	R57C035	REAR VIEW MIRROR, L	1
A3-3	PC2G002	HANDLE GRIP, R	1
A3-4	PC2G001	HANDLE GRIP, L	1
A3-5	PC2E080	CONTROL SWITCH, R	1
A3-6	PC2E082	THROTTLE CABLE HOLDER	1
A3-7	PC2CE070	CONTROL SWITCH, L	1
A3-8	PC2C3208AYBZ00R	HAND PROTECTOR R, RED	1
A3-8	PC2C3208AYBZ01R	HAND PROTECTOR R, BLUE	1
A3-8	PC2C3208AYBZ02R	HAND PROTECTOR R, GREY	1
A3-9	PC2P810	PLATE, HAND PROTECTOR	2
A3-10	PC2J610	HAND PROTECTOR HOLDER	2
A3-11	PC2C3208AYBZ00L	HAND PROTECTOR L, RED	1
A3-11	PC2C3208AYBZ01L	HAND PROTECTOR L, BLUE	1
A3-11	PC2C3208AYBZ02L	HAND PROTECTOR L, GREY	1

**A3 - HANDLE BAR ASSY**



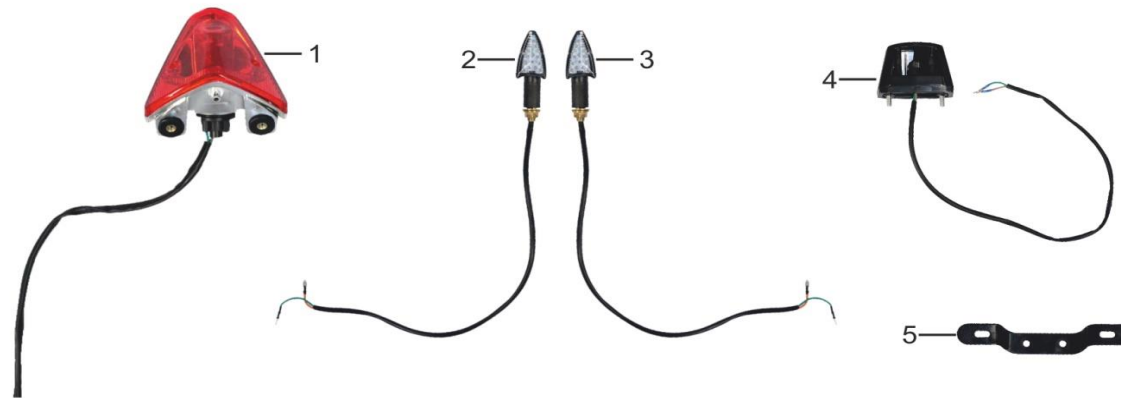
S.NO.	PART CODE	DESCRIPTION	QUANTITY
A3-12	PC2A050YH	HANDLE BAR	1
A3-13	PEAE100LV	CLUTCH LEVER	1

### A4 - FRONT LIGHTS



S.NO.	PART CODE	DESCRIPTION	QUANTITY
A4-1	PEAP0327A	BRACKET, HEADLIGHT	1
A4-2	PEA2E140	HEADLIGHT ASSY	1
A4-3	L00E3500007	BULB, HEADLIGHT	1
A4-4	PEA1E180	FRONT TURN LIGHT, R	1
A4-5	PEA1E170	FRONT TURN LIGHT, L	1

### A5 - REAR LIGHTS



S.NO.	PART CODE	DESCRIPTION	QUANTITY
A5-1	PEAE210	TAIL LIGHT ASSY	1
A5-2	PEA2E190	REAR TURN LIGHT, L	1
A5-3	PEA2E200	REAR TURN LIGHT, R	1
A5-4	PEAE220	REAR LICENSE PLATE LIGHT	1
A5-5	PEAP0627A	BRACKET, TAIL LIGHT	1



**A6 - SPEEDOMETER ASSY**



S.NO.	PART CODE	DESCRIPTION	QUANTITY
A6-1	PEAE120	SPEEDOMETER ASSY	1
A6-2	PEAP1497A	BRACKET, SPEEDOMETER	1
A6-3	PC2G093	RUBBER BUSH, SPEEDOMETER	2

### A7 - ELECTRICAL PARTS



S.NO.	PART CODE	DESCRIPTION	QUANTITY
A7-1	PC2LE000	WIRE HARNESS	1
A7-2	N00E020	RECTIFIER	1
A7-3	N00E030	START RELAY	1
A7-4	PC2E010	IGNITION COIL	1
A7-5	N561E330	HORN	1
A7-6	N24E050	CDI	1
A7-7	L009E040	FLASHER	1
A7-8	L004E008	REAR BRAKE SWITCH CABLE	1

## A8 - PAINTED PLASTIC PARTS



S.NO.	PART CODE	DESCRIPTION	QUANTITY
A8-1	PEAC355Y48YBZ00	FUEL TANK COVER R, RED	1
A8-1	PEAC35543YBZ01	FUEL TANK COVER R, BLUE	1
A8-1	PEAC355G03YBZ02	FUEL TANK COVER R, GREY	1
A8-2	PEAC350Y48YBZ00	FUEL TANK COVER L, RED	1
A8-2	PEAC35043YBZ01	FUEL TANK COVER L, BLUE	1
A8-2	PEAC350G03YBZ02	FUEL TANK COVER L, GREY	1
A8-3	PEAC0728A	SIDE COVER R, WHITE	1
A8-4	PEAC0678A	SIDE COVER L, WHITE	1
A8-5	PEAC073Y48YBZ00	REAR COVER R , RED	1
A8-5	PEAC07343YBZ01	REAR COVER R, BLUE	1
A8-5	PEAC073G03YBZ02	REAR COVER R, GREY	1
A8-6	PEAC068Y48YBZ00	REAR COVER L, RED	1
A8-6	PEAC06843YBZ01	REAR COVER L, BLUE	1
A8-6	PEAC068G03YBZ02	REAR COVER L, GREY	1
A8-7	PEAC0108AYBZ00	FRONT FENDER, RED	1

### A8 - PAINTED PLASTIC PARTS



S.NO.	PART CODE	DESCRIPTION	QUANTITY
A8-7	PEAC0108AYBZ01	FRONT FENDER, BLUE	1
A8-7	PEAC0108AYBZ02	FRONT FENDER, GREY	1
A8-8	P13G167	RUBBER BUSH, FRONT FENDER	4
A8-9	PEAC0558AYBZ00	HEADLIGHT COVER, RED	1
A8-9	PEAC0558AYBZ01	HEADLIGHT COVER, BLUE	1
A8-9	PEAC0558AYBZ02	HEADLIGHT COVER, GREY	1

### A9 - OTHER PLASTIC PARTS



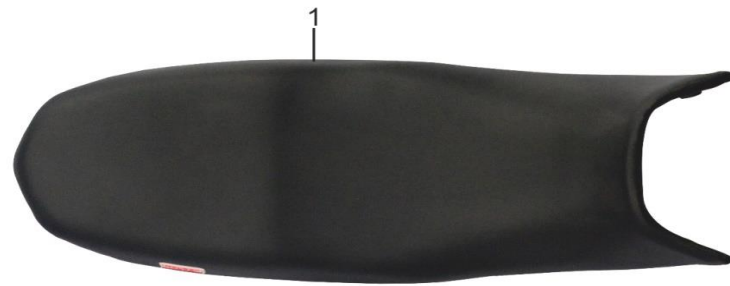
S.NO.	PART CODE	DESCRIPTION	QUANTITY
A9-1	PEAC015	REAR FENDER	1
A9-2	PEAC085	TAIL COVER	1
A9-3	R57C370	REAR REFLECTOR	1

### A10 - SHOCK ABSORBERS



S.NO.	PART CODE	DESCRIPTION	QUANTITY
A10-1	PC24B020YH	FRONT SHOCK ABSORBER, R	1
A10-2	PC24B010YH	FRONT SHOCK ABSORBER, L	1
A10-3	PC23B070	REAR SHOCK ABSORBER	1

**A11 - SEAT/REAR HANDRAIL**



<b>S.NO.</b>	<b>PART CODE</b>	<b>DESCRIPTION</b>	<b>QUANTITY</b>
A11-1	PEAC005	SEAT	1
A11-2	PEAA0408L	REAR HANDRAIL	1

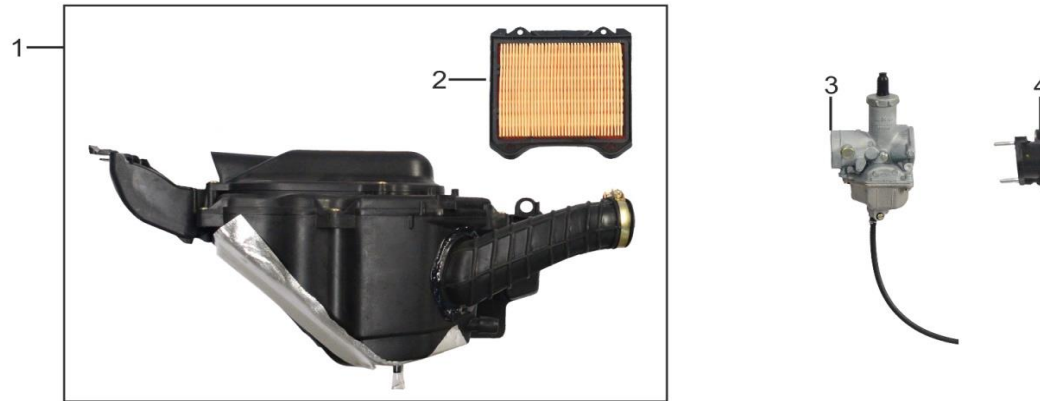
### A12 - FUEL TANK ASSY



S.NO.	PART CODE	DESCRIPTION	QUANTITY
A12-1	N20G147	FUEL TANK FRONT CUSHION RUBBER	2
A12-2	PEAC0008A	FUEL TANK	1
A12-3	P02G131	FUEL TANK REAR CUSHION RUBBER	1
A12-4	NA8G022	OIL PIPE	1
A12-5	N00C020	FUEL COCK	1
A12-6	PEAE340	FUEL SENSOR	1

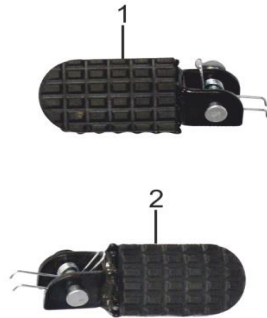


**A13 - AIR CLEANER/CARBURETOR ASSY**



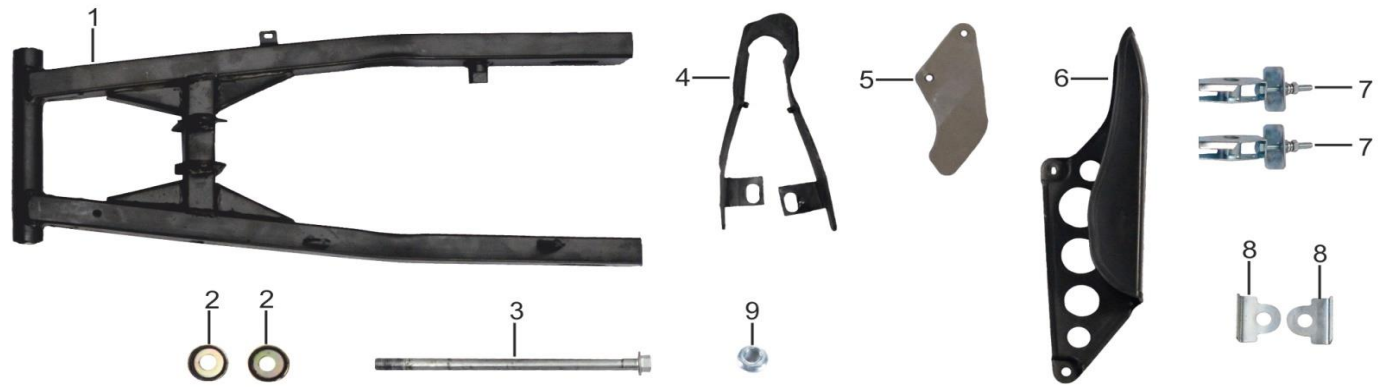
S.NO.	PART CODE	DESCRIPTION	QUANTITY
A13-1	R511Q020	AIR CLEANER ASSY	1
A13-2	R51Q024	AIR FILTER	1
A13-3	R84Q000	CARBURETOR	1
A13-4	L00JQ256	INTAKE PIPE	1

**A14 - FOOTREST ASSY**



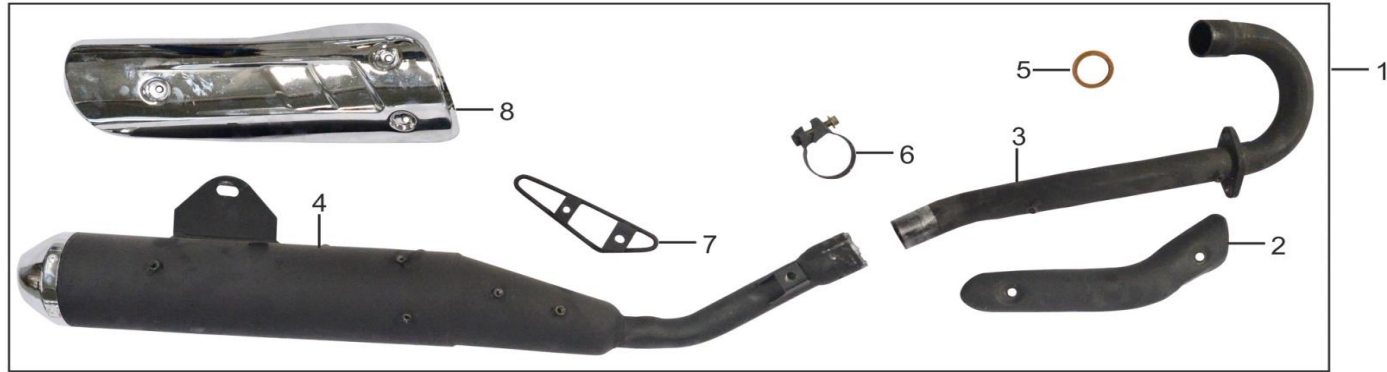
S.NO.	PART CODE	DESCRIPTION	QUANTITY
A14-1	PC22A1207A	FRONT FOOTREST ASSY, L	1
A14-2	PC22A1307A	FRONT FOOTREST ASSY, R	1
A14-3	PC2A1607A	REAR FOOTREST ASSY, L	1
A14-4	PC2A1707A	REAR FOOTREST ASSY, R	1

### A15 - REAR FORK ASSY



S.NO.	PART CODE	DESCRIPTION	QUANTITY
A15-1	PC22A090YH	REAR FORK	1
A15-2	PC2B059	DUST COVER, REAR FORK	2
A15-3	L00PZ084	AXLE, REAR FORK	1
A15-4	PC2G009	CHAIN GUIDE	1
A15-5	PC2C485	CHAIN PROTECTOR	1
A15-6	PC21C180	CHAIN CASE	1
A15-7	PC21D171BX	CHAIN ADJUSTER, L/R	2
A15-8	PC21d173	CHAIN ADJUSTER PLATE, L/R	2
A15-9	618714000	NUT, REAR FORK AXLE	1

### A16 - MUFFLER ASSY



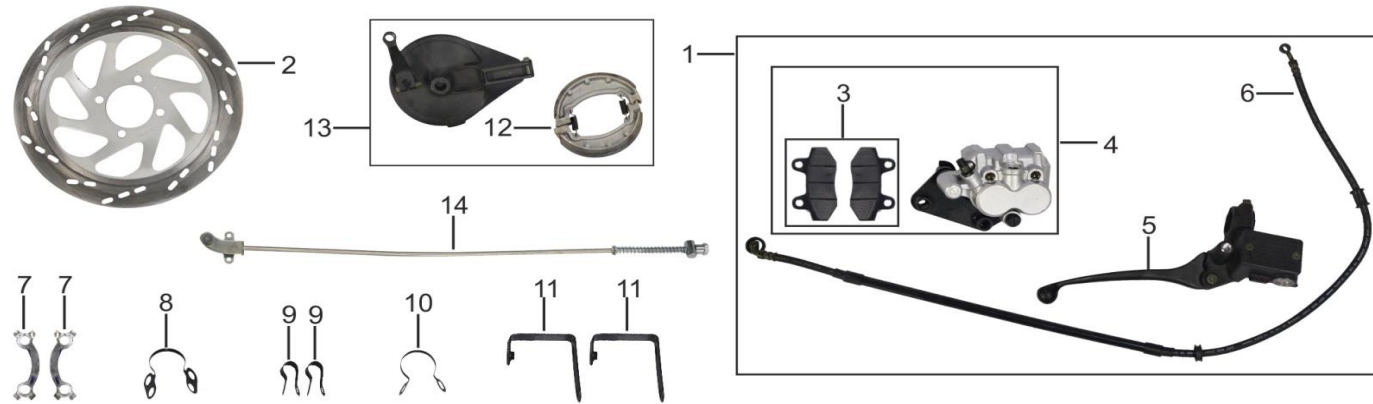
S.NO.	PART CODE	DESCRIPTION	QUANTITY
A16-1	PEAQ010BCR	MUFFLER ASSY	1
A16-2	PEAQ051	MUFFLER COVER, FRONT	1
A16-3	PEAQ0167A	MUFFLER, FRONT PART	1
A16-4	PEAQ01006	MUFFLER, REAR PART	1
A16-5	R51Q011	GASKET, MUFFLER INLET	1
A16-6	PEAQ01B	CLAMP, MUFFLER	1
A16-7	PEAQ01C	BRACKET, ANTI-HEAT	1
A16-8	PEAQ01ABCR	MUFFLER COVER, REAR	1

### A17 - PEDALS



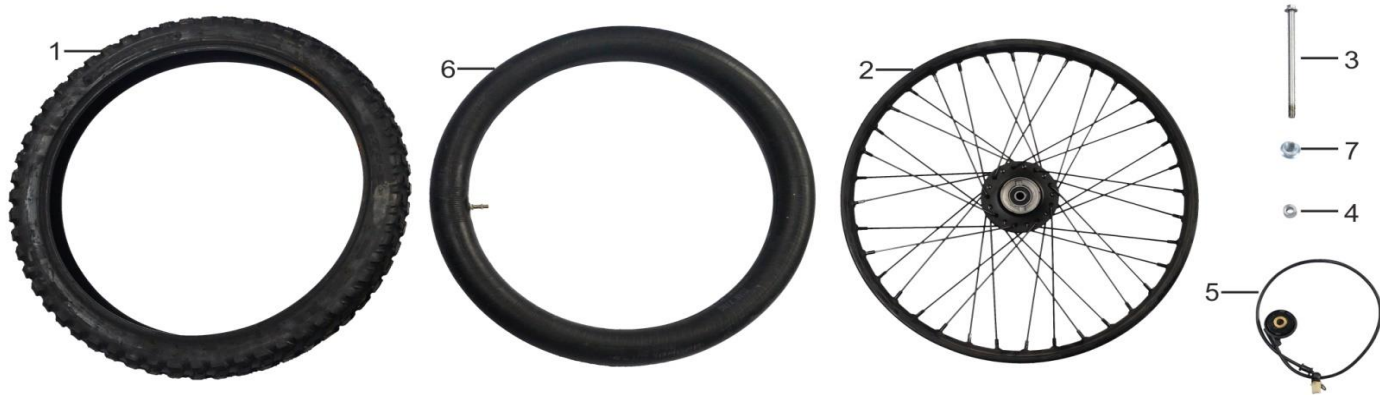
S.NO.	PART CODE	DESCRIPTION	QUANTITY
A17-1	PC2D180YH	REAR BRAKE PEDAL	1
A17-2	L00QD312PSH	KICK STARTER	1
A17-3	L00BX284PSH	PEDAL GEAR CHANGE	1
A17-4	Q28K040	SPRING, REAR BRAKE PEDAL	1
A17-5	PC4K050	SPRING, REAR BRAKE SWITCH	1

### A18 - BRAKE ASSY



S.NO.	PART CODE	DESCRIPTION	QUANTITY
A18-1	PEAD130058L	FRONT BRAKE ASSY	1
A18-2	PEAD1318L	DISC PLATE, FRONT DISC BRAKE	1
A18-3	PEAD13C00	BRAKE PAD, FRONT DISC BRAKE	1
A18-4	PEAD138	CALIPER ASSY, FRONT DISC BRAKE	1
A18-5	PEAD1367A	FRONT BRAKE LEVER, WITH UPPER PUMP	1
A18-6	PEAD1357A	BRAKE OIL PIPE, FRONT DISC BRAKE	1
A18-7	Q62D13104BCR	LOCK CLIP	2
A18-8	R51P151	UPPER CLAMP, BRAKE OIL PIPE	1
A18-9	PE1P0967A	CLAMP, SPEEDOMETER CABLE	2
A18-10	PEAP9487A	CLAMP, BRAKE OIL PIPE	1
A18-11	PC2P832	BRAKET, BRAKE OIL PIPE CLAMP	2
A18-12	PC24D111	BRAKE SHOE ASSY	1
A18-13	PC21D110YH	REAR BRAKE PANEL	1
A18-14	LOODS85	REAR BRAKE ROD	1

### A19 - WHEEL ASSY



S.NO.	PART CODE	DESCRIPTION	QUANTITY
A19-1	PC21D050	FRONT TYRE	1
A19-2	PC29D0007G5	FRONT RIM	1
A19-3	L00LZ113	AXLE,FRONT WHEEL	1
A19-4	PC2J020	COLLAR, FRONT AXLE	1
A19-5	PEAD160	GEAR, SPEEDOMETER	1
A19-6	P13D040	FRONT TUBE	1
A19-7	618712000XY	NUT, FRONT WHEEL AXLE	1

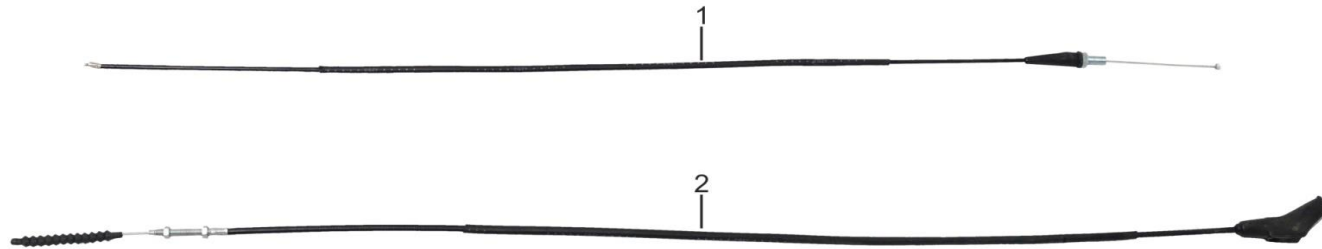
### A19 - WHEEL ASSY



S.NO.	PART CODE	DESCRIPTION	QUANTITY
A19-8	PC26D0107G4	REAR RIM	1
A19-9	PC22D152	REAR SPROCKET	1
A19-10	PC24D150	BUFFER	1
A19-11	PC2D018	CUSHION RUBBER, REAR WHEEL	1
A19-12	PC23D060	REAR TUBE	1
A19-13	L00LZ022	AXLE, REAR WHEEL	1
A19-14	PDRJ050	COLLAR R, REAR AXLE	1
A19-15	PC23J040	COLLAR L, REAR AXLE	1
A19-16	PC2J330	INNER COLLAR, REAR SPROCKET	1
A19-17	PC21D155	LOCK CLIP	2
A19-18	L00DL40	CHAIN	1
A19-19	PC23D070	REAR TYRE	1
A19-20	618714000	NUT, REAR WHEEL AXLE	1



### A20 - CONTROL CABLES



S.NO.	PART CODE	DESCRIPTION	QUANTITY
A20-1	PC2F020	THROTTLE CABLE	1
A20-2	PC29F010	CLUTCH CABLE	1

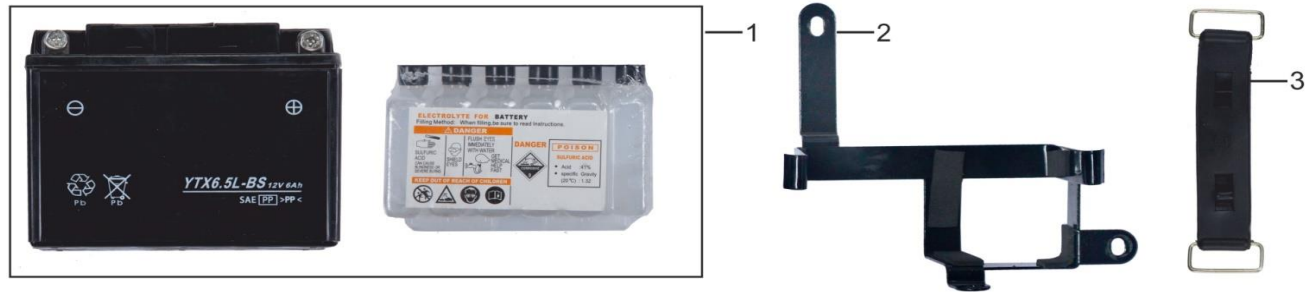
**A21 - LOCK SET**



1

<b>S.NO.</b>	<b>PART CODE</b>	<b>DESCRIPTION</b>	<b>QUANTITY</b>
A21-1	R84K000J3	LOCK SET	1

## A22 - BATTERY



S.NO.	PART CODE	DESCRIPTION	QUANTITY
A22-1	L00ED110EL2	BATTERY	1
A22-2	PC2P043	BRACKET, BATTERY	1
A22-3	NCCG036	BAND BATTERY	1

**A23 - TOOLS**



S.NO.	PART CODE	DESCRIPTION	QUANTITY
A23-1	PC1N000J3CX	TOOL KIT	1
A23-2	PC2C190	TOOL BOX	1

### A24 - FASTENERS

ASSY NO.	PART NO.	DESCRIPTION	QUANTITY
A1	578706016	HEXAGON FLANGE BOLT M6×16	2
A1	578708016	HEXAGON FLANGE BOLT M8×16	2
A1	578708060T	HEXAGON FLANGE BOLT M8×60	2
A1	578708065	HEXAGON FLANGE BOLT M8×65	1
A1	578708080T	HEXAGON FLANGE BOLT M8×80	2
A1	578708095T	HEXAGON FLANGE BOLT M8×95	2
A1	578710115XYT	HEXAGON FLANGE BOLT M10×1.25×115	2
A1	617008000	I TYPE HEXAGON NUT M8	7
A1	617110000XY	I TYPE HEXAGON NUT M10×1.25	2
A1	617706000	HEXAGON FLANGE NUT M6	2
A1	930008000	SPRING WASHER Ø8	7
A1	930010000	SPRING WASHER Ø10	2
A1	960006000	FLAT WASHER Ø6	2
A1	971008000	FLAT WASHER Ø8	1
A1	971010000	FLAT WASHER Ø10	2
A2	FB03002	BUSH Ø6.5×Ø18×7	4
A3	FB01056BCR	INNER HEXAGON FLAT HEAD SCREW M6×16	2
A3	FB01057BCR	INNER HEXAGON FLAT HEAD SCREW M6×20	2
A3	FB01058BCR	INNER HEXAGON FLAT HEAD SCREW M6×25	2
A3	578706030BCR	HEXAGON FLANGE BOLT M6×30	4
A3	617706000	HEXAGON FLANGE NUT M6	2
A3	960006000	FLAT WASHER Ø6	4
A5	578706012	HEXAGON FLANGE BOLT M6×12	2
A5	578706016	HEXAGON FLANGE BOLT M6×16	2
A5	617706000	HEXAGON FLANGE NUT M6	2
A5	845048012	SLOTTED PAN HEAD SCREW ST4.8×12	1
A5	9074105012	SLOTTED SCREW WITH WASHER M5×12	8
A5	971006000	FLAT WASHER Ø6	2
A6	FB03002	BUSH Ø6.5×Ø18×7	2
A6	578706012	HEXAGON FLANGE BOLT M6×12	2

### A24 - FASTENERS

ASSY NO.	PART NO.	DESCRIPTION	QUANTITY
A6	9074105016	SLOTTED SCREW WITH WASHER M5×16	2
A6	960006000	FLAT WASHER Ø6	2
A7	578706012	HEXAGON FLANGE BOLT M6×12	3
A7	578706016	HEXAGON FLANGE BOLT M6×16	2
A8	FB01057BCR	INNER HEXAGON FLAT HEAD SCREW M6×20	4
A8	FB08039	NUT-CLIP M5×20×11	6
A8	578306020	HEXAGON HEAD BOLT M6×20	4
A8	578706020	HEXAGON FLANGE BOLT M6×20	1
A8	617706000	HEXAGON FLANGE NUT M6	1
A8	845042010	SLOTTED PAN HEAD SCREW ST4.2×10	4
A8	845048012	SLOTTED PAN HEAD SCREW ST4.8×12	4
A8	9074105012	SLOTTED SCREW WITH WASHER M5×12	2
A8	9074105016	SLOTTED SCREW WITH WASHER M5×16	4
A8	960006000	FLAT WASHER Ø6	9
A8	971006000	FLAT WASHER Ø6	4
A9	FB08003	NUT-CLIP M5	1
A9	FB08039	NUT-CLIP M5×20×11	2
A9	578706020	HEXAGON FLANGE BOLT M6×20	4
A9	617706000	HEXAGON FLANGE NUT M6	3
A9	9074105012	SLOTTED SCREW WITH WASHER M5×12	3
A10	578710075XY	HEXAGON FLANGE BOLT M10×1.25×75	2
A10	617110000XY	I TYPE HEXAGON NUT M10×1.25	2
A10	930010000	SPRING WASHER Ø10	2
A10	971010000	FLAT WASHER Ø10	2
A11	578706020	HEXAGON FLANGE BOLT M6×20	2
A11	700008020	HEXAGON SOCKET HEAD CASCREWS M8×20	2
A11	700008030	HEXAGON SOCKET HEAD CASCREWS M8×30	1
A11	960006000	FLAT WASHER Ø6	2
A12	FB06007	CLIP M6×12	2
A12	578706016	HEXAGON FLANGE BOLT M6×16	2


### A24 - FASTENERS

ASSY NO.	PART NO.	DESCRIPTION	QUANTITY
A14	578708025	HEXAGON FLANGE BOLT M8×25	4
A15	FB04005	FLANGE NUT M6×12-8	3
A15	FB04007	FLANGE NUT M6×17	2
A15	618714000	HEXAGON FLANGE LOCK NUT M14	1
A15	960008000	WASHER Ø8	1
A16	578708025	HEXAGON FLANGE BOLT M8×25	2
A16	578708040	HEXAGON FLANGE BOLT M8×40	2
A16	617708000	HEXAGON FLANGE NUT M8	3
A16	960008000	WASHER Ø8	1
A17	FB02000	WASHER Ø17×Ø23×1.5	1
A17	578306025	HEXAGON HEAD BOLT M6×25	1
A17	617706000	HEXAGON FLANGE NUT M6	1
A17	882006020	PIN BOLT Ø6×20	1
A17	910020020	SPLIT PIN D=2.0 , L=20	1
A17	910030030	SPLIT PIN D=3.0, L=30	1
A17	971006000	FLAT WASHER Ø6	1
A18	578706008	HEXAGON FLANGE BOLT M6×8	3
A18	578706012	HEXAGON FLANGE BOLT M6×12	1
A19	618712000XY	HEXAGON FLANGE LOCK NUT M12×1.25	1
A19	618714000	HEXAGON FLANGE LOCK NUT M14	1
A21	578706008	HEXAGON FLANGE BOLT M6×8	2
A21	578706030	HEXAGON FLANGE BOLT M6×30	2
A21	700008016	HEXAGON SOCKET HEAD CASCREWS M8×16	2
A21	930008000	SPRING WASHER Ø8	2
A22	578706016	HEXAGON FLANGE BOLT M6×16	1
A22	578706020	HEXAGON FLANGE BOLT M6×20	2
A23	578306016	HEXAGON HEAD BOLT M6×16	2
A23	960006000	FLAT WASHER Ø6	2



***Raybar***

[www.raybarmotorcycles.com](http://www.raybarmotorcycles.com)

 /raybarmoto